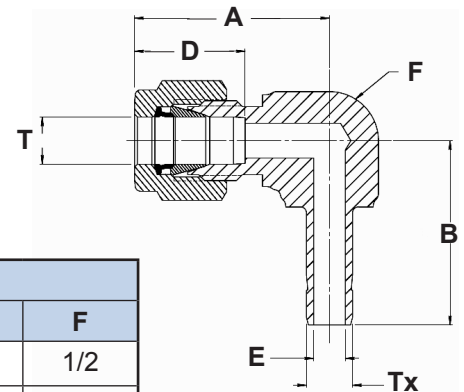
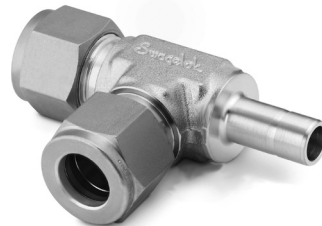
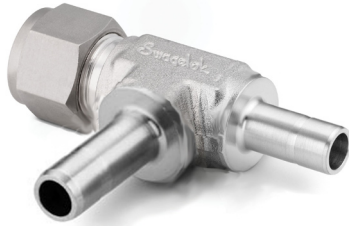


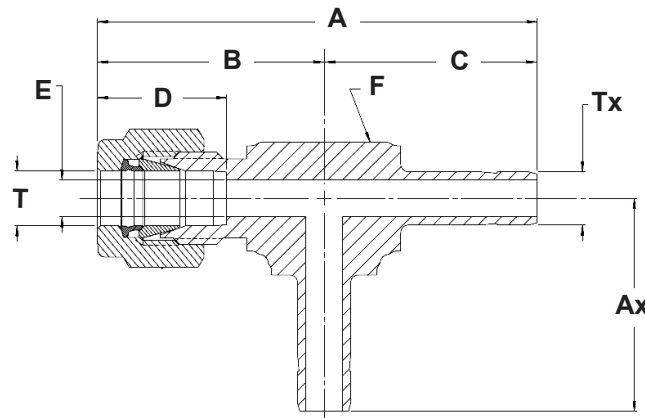
# Adapter Elbows and Tees

Unique Adapter Fittings Simplify Installation and Help Reduce the Size of Your Systems



## Reducing Elbows

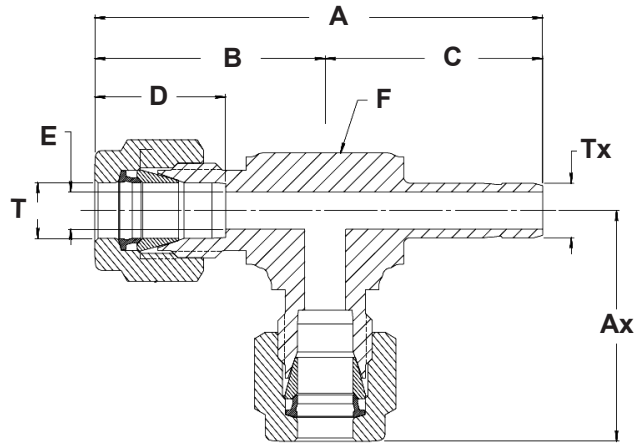
Tube OD		Basic Ordering Number	Dimensions (inches)				
T	Tx		A	B	D	E	F
1/4	1/4	SS-400-2R-4	1.06	1.00	.60	.17	1/2
3/8	1/4	SS-600-2R-4	1.20	1.08	.66	.17	5/8
3/8	3/8	SS-600-2R-6	1.20	1.14	.66	.27	5/8
1/2	3/8	SS-810-2R-6	1.42	1.25	.90	.27	13/16
1/2	1/2	SS-810-2R-8	1.42	1.51	.90	.37	13/16



## Adapter Tees

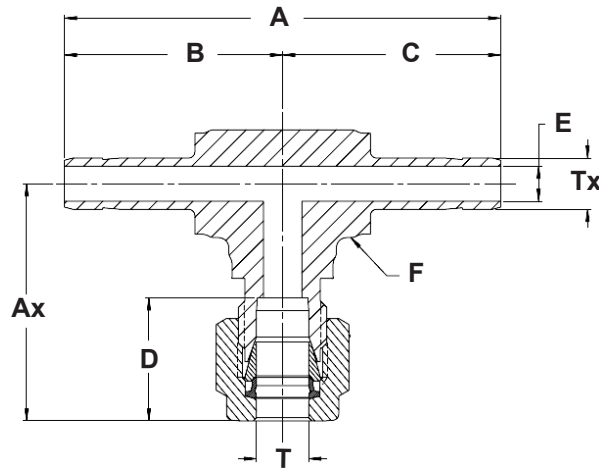
Tube OD		Basic Ordering Number	Dimensions (inches)						
T	Tx		A	Ax	B	C	D	E	F
1/4	1/4	SS-400-3-4TAA	2.06	1.00	1.06	1.00	.60	.17	1/2
3/8	1/4	SS-600-3-4TAA	2.28	1.08	1.20	1.08	.67	.17	5/8
3/8	3/8	SS-600-3-6TAA	2.34	1.14	1.20	1.14	.67	.27	5/8
1/2	3/8	SS-810-3-6TAA	2.67	1.25	1.42	1.25	.90	.27	13/16
1/2	1/2	SS-810-3-8TAA	3.09	1.59	1.50	1.59	.90	.37	15/16

## Adapter Elbows and Tees



### Adapter Run Tees

Tube OD		Basic Ordering Number	Dimensions (inches)						
T	Tx		A	Ax	B	C	D	E	F
1/4	1/4	SS-400-3-4TAT	2.06	1.06	1.06	1.00	.60	.17	1/2
3/8	1/4	SS-600-3-4TAT	2.28	1.20	1.20	1.08	.67	.17	5/8
3/8	3/8	SS-600-3-6TAT	2.34	1.20	1.20	1.14	.67	.27	5/8
1/2	3/8	SS-810-3-6TAT	2.67	1.42	1.42	1.25	.90	.27	13/16
1/2	1/2	SS-810-3-8TAT	3.09	1.50	1.50	1.59	.90	.37	15/16



### Adapter Branch Tees

Tube OD		Basic Ordering Number	Dimensions (inches)						
T	Tx		A	Ax	B	C	D	E	F
1/4	1/4	SS-400-3-4AAT	2.14	1.16	1.07	1.07	.60	.17	1/2
3/8	1/4	SS-600-3-4AAT	2.38	1.31	1.19	1.19	.67	.17	11/16
3/8	3/8	SS-600-3-6AAT	2.28	1.20	1.14	1.14	.67	.28	5/8
1/2	3/8	SS-810-3-6AAT	2.68	1.51	1.34	1.34	.90	.27	13/16
1/2	1/2	SS-810-3-8AAT	3.66	1.74	1.83	1.83	.90	.37	1-1/4

**Caution: Do not mix or interchange parts with those of other manufacturers.**