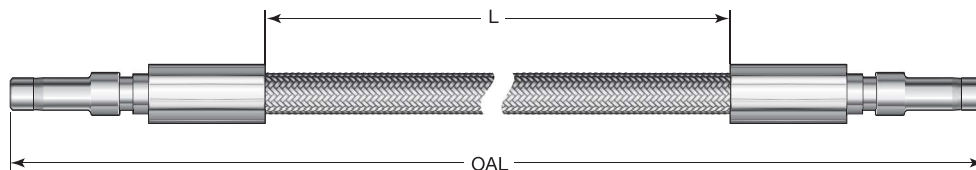


T Series PTFE Hose - Crimped Assembly

Ordering Information and Dimensions

Standard Length Hose Assemblies

Select an ordering number.



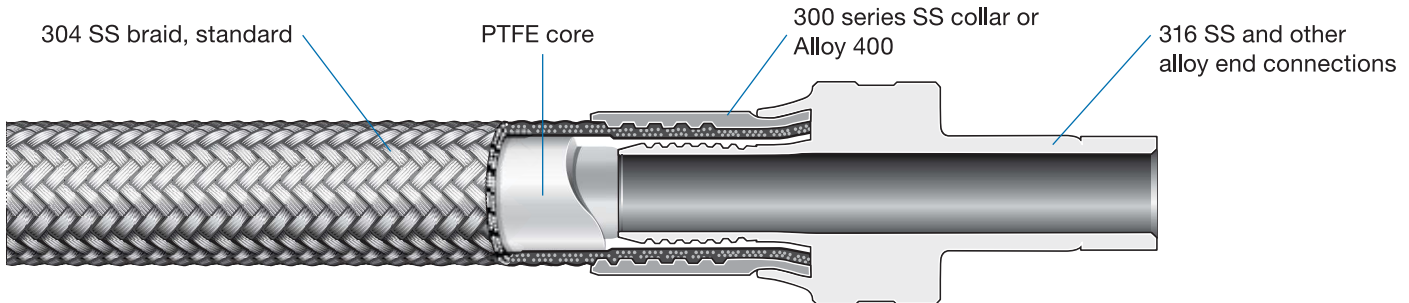
Swagelok Tube Adapter End Connections

Nominal Hose Size	Tube Adapter Size	Overall Length OAL	Ordering Number	Dimensions		
				Live Length L	End Connection Inside Diameter	Maximum Outside Dimension
Dimensions, in.		in. (cm)		in. (cm)	in. (mm)	
1/4	1/4	8.00 (20.3)	SS-4BHT-6	3.92 (10.0)	0.13 (3.3)	0.49 (12.4)
		14.0 (35.6)	SS-4BHT-12	9.92 (25.2)		
		20.0 (50.8)	SS-4BHT-18	15.9 (40.4)		
		26.0 (66.0)	SS-4BHT-24	21.9 (55.6)		
		38.0 (96.5)	SS-4BHT-36	33.9 (86.1)		
		50.0 (127)	SS-4BHT-48	45.9 (117)		
		62.0 (157)	SS-4BHT-60	57.9 (147)		
		74.0 (188)	SS-4BHT-72	69.9 (178)		
		122 (310)	SS-4BHT-120	118 (300)		
3/8	3/8	14.0 (35.6)	SS-6BHT-12	9.64 (24.5)	0.23 (5.8)	0.59 (15.0)
		20.0 (50.8)	SS-6BHT-18	15.6 (39.6)		
		26.0 (66.0)	SS-6BHT-24	21.6 (54.9)		
		38.0 (96.5)	SS-6BHT-36	33.6 (85.3)		
		50.0 (127)	SS-6BHT-48	45.6 (116)		
		62.0 (157)	SS-6BHT-60	57.6 (146)		
1/2	1/2	14.5 (36.8)	SS-8BHT-12	9.04 (23.0)	0.34 (8.6)	0.78 (19.8)
		20.5 (52.1)	SS-8BHT-18	15.0 (38.1)		
		26.5 (67.3)	SS-8BHT-24	21.0 (53.3)		
		38.5 (97.8)	SS-8BHT-36	33.0 (83.8)		
		50.5 (128)	SS-8BHT-48	45.0 (114)		
		62.5 (159)	SS-8BHT-60	57.0 (145)		
		74.5 (189)	SS-8BHT-72	69.0 (175)		
		122.5 (311)	SS-8BHT-120	117 (297)		
3/4	3/4	26.5 (67.3)	SS-12BHT-24	20.7 (52.6)	0.54 (13.7)	1.04 (26.4)
		38.5 (97.8)	SS-12BHT-36	32.7 (83.1)		
		50.5 (128)	SS-12BHT-48	44.7 (114)		
Dimensions, mm		cm (in.)		cm (in.)	mm (in.)	
1/4 in.	6	35.6 (14.0)	SS-4MBHT-12	25.2 (9.92)	3.3 (0.13)	12.4 (0.49)
		66.0 (26.0)	SS-4MBHT-24	55.7 (21.9)		
		96.5 (38.0)	SS-4MBHT-36	86.2 (33.9)		
1/2 in.	12	67.3 (26.5)	SS-8MBHT-24	53.4 (21.0)	8.6 (0.34)	19.8 (0.78)
		97.8 (38.5)	SS-8MBHT-36	83.9 (33.0)		

T Series PTFE Hose - Swaged Assembly

Features

- PTFE hose with permeation-resistant features.
- Smooth-bore PTFE core.
- Size range of 1/4 through 1 in. and working pressures up to 3000 psig (206 bar).
- Single braid layer of 304 stainless steel (316L SS and alloy 400 available) ensures hose pressure containment and protects the core from abrasion.
- PTFE material complies with FDA regulation 21CFR Part 177.1550.
- Optional carbon black-filled PTFE core is available for applications that require static dissipation.
- Select static dissipative hose assemblies are approved to ECE R110; see page 105 for more information.
- Commonly used where chemical compatibility and permeation resistance is desired.
- Standard and custom assemblies available.
- Options include hose covers and hose tags. See page 103 for details.
- For electrical properties, see page 5 for details.



Technical Data

Nominal Hose Size in. (mm)	Inside Diameter in. (mm)	Outside Diameter in. (mm)	Minimum Inside Bend Radius in. (cm)		Temperature Range °F (°C)	Vacuum (28.5 in.Hg [96.5 kPa]) Rated to ... °F (°C)	Working Pressure at 70°F (20°C) psig (bar)	Minimum Burst Pressure at 70°F (20°C) psig (bar)	Bulk Hose Weight lb/ft (kg/m)
			Static	Dynamic					
304 SS Braid (TH and TC)									
1/4 (6.4)	0.19 (4.8)	0.31 (7.9)	1.50 (3.81)	2.00 (5.08)	-65 to 450 (-53 to 230)	450 (230)	3000 (206)	12 000 (826)	0.08 (0.12)
3/8 (9.5)	0.31 (7.9)	0.44 (11.1)	3.50 (8.89)	5.00 (12.7)		450 (230)	2500 (172)	10 000 (689)	0.12 (0.17)
1/2 (12.7)	0.41 (10.3)	0.56 (14.3)	4.50 (11.4)	6.00 (15.2)		450 (230)	2000 (137)	8 000 (551)	0.15 (0.22)
3/4 (19.0)	0.63 (15.9)	0.81 (20.6)	6.00 (15.2)	7.50 (19.0)		450 (230)	1500 (103)	6 000 (413)	0.28 (0.41)
1 (25.4)	0.88 (22.2)	1.03 (26.2)	9.00 (22.9)	11.3 (28.7)		400 (204)	1000 (68.9)	4 000 (275)	0.39 (0.58)
Alloy 400 Braid (TL4)									
1/4 (6.4)	0.19 (4.8)	0.31 (7.9)	1.50 (3.81)	2.00 (5.08)	-65 to 450 (-53 to 230)	450 (230)	1500 (103)	6 000 (413)	0.08 (0.12)

Pressure-Temperature Ratings

Ratings are based on burst testing.

Braid Material	304 SS (TH and TC)					Alloy 400 (TL4)
	1/4	3/8	1/2	3/4	1	
Nominal Hose Size in.						
Temperature °F (°C)	Working Pressure, psig (bar)					
-65 (-53)	2250 (155)	1875 (129)	1500 (103)	1125 (77.5)	750 (51.6)	1500 (103)
0 (-17) to 100 (37)	3000 (206)	2500 (172)	2000 (137)	1500 (103)	1000 (68.9)	1500 (103)
200 (93)	1740 (119)	1450 (99.9)	1160 (79.9)	870 (59.9)	580 (39.9)	1305 (89.9)
300 (148)	1560 (107)	1300 (89.5)	1040 (71.6)	780 (53.7)	520 (35.8)	1215 (83.7)
400 (204)	1440 (99.2)	1200 (82.6)	960 (66.1)	720 (49.6)	480 (33.0)	1185 (81.6)
450 (230)	1380 (95.0)	1150 (79.2)	920 (63.3)	690 (47.5)	460 (31.6)	1170 (80.6)

Testing

Every Swagelok T series hose assembly is pressure tested with water for 30 to 60 seconds at 1.5 times the working pressure to a requirement of no visible leakage at ambient temperature.

Cleaning and Packaging

Swagelok T series hose components are cleaned in accordance with Swagelok *Standard Cleaning and Packaging (SC-10)* catalog, MS-06-62. Each hose is bagged individually and boxed; longer hoses are coiled, bagged, and boxed.