

Swagelok

ENGINEERED FOR PERFORMANCE

CONTINUE 



No matter what segment of the power industry you operate in, Swagelok® stands behind you with the highest levels of quality, reliability, and performance, backed by 70+ years in the industry, and meeting key standards, including ASME Section III and B16.34.

I NEED TO KEEP MY PLANT RUNNING >



I NEED TO DESIGN A RELIABLE SYSTEM >

KEEP YOUR PLANT RUNNING

Keeping a power plant running is a 24-hour job. Something's always moving— and you can't stop either. It's on you to keep systems up and the lights on. So many moving parts to the equation. Corrective maintenance, lengthy shutdowns— any of these can shift the balance of power away from production and into lost revenue. The last thing you want to worry about is a leaking or failed component. What if you knew there was a solution built on proven quality and industry standards for excellence? You know Swagelok tube fitting quality. Expect the same quality in our other products, and in building and testing your custom solution.

CONTINUE 

 BACK

WHEREVER YOU ARE, WE ARE.

COMBINED CYCLE

Whether in the fuel delivery lines or the hydraulics required to maintain system pressures, Swagelok is there with valves, tubing, tube fittings, and instrumentation, along with the support you need to keep your plant running.

TRADITIONAL FOSSIL FUEL

Turbine control, steam samples, water treatment— Swagelok covers all these demanding applications and more with the products and quality you depend on to keep you moving.

NUCLEAR POWER

Swagelok nuclear products offer the same quality and reliability as our standard products, with the added assurance of compliance with nuclear industry and safety standards.

CONTINUE 

 BACK

EXPLORE SOLUTIONS FOR YOUR PLANT



[CONNECT](#)

[CONVEY](#)

[CONTROL](#)

[CUSTOMIZE](#)

[CONTACT US](#)

EXPLORE SOLUTIONS FOR YOUR PLANT



CONNECT

CONVEY

CONTROL

CUSTOMISE

CONTACT US

TUBE FITTINGS



Tube fitting performance is defined by a robust tube grip, leak-tight gas seal, and excellent vibration resistance. The proof is in our testing and actual in-plant surveying. The proven design of the Swagelok tube fitting provides excellent vibration resistance and tube support—even in harsh or high-stress nuclear environments. [Learn more about Swagelok Tube Fittings.](#)

QUICK-CONNECTS



Expect the same quality in our line of Quick-Connects. Push-to-connect design enables quick, simple operation. No twisting, turning, or wrenching necessary—resulting in fewer leaks and greater system integrity. [Learn more about our Quick-Connects.](#)

CONNECT From tube fittings to quick connects, Swagelok connects your fluid systems with proven performance and reliability.

CONVEY
CONTROL
CUSTOMISE
CONTACT US
BACK

SMALL BORE



Fluid leaks are not an option when it comes to maintaining uptime. Swagelok small bore (up to 2 in. [50 mm] O.D.) tubing reduces the number of connections and potential leak points to improve fluid flow through the system. [Learn more about Small Bore.](#)

FLEXIBLE TUBING AND HOSE



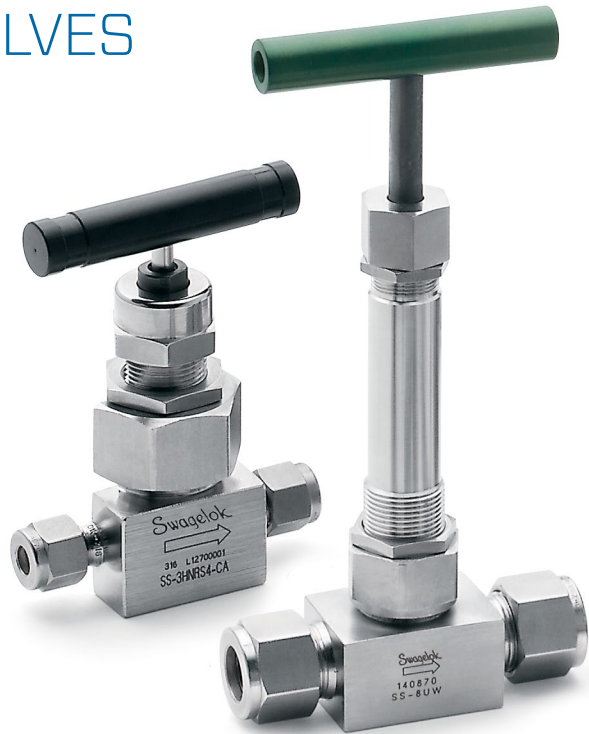
Whatever your application, Swagelok has the hose and flexible tubing to form the backbone of your fluid delivery system. All tested and rated to withstand extremes in your operating environment, like vibration and temperature variations. [Learn more about our Flexible Tubing and Hose.](#)

CONVEY

Whatever your application, Swagelok has the small-bore and flexible tubing and hoses to form the backbone of your fluid delivery system.

CONNECT
CONTROL
CUSTOMISE
CONTACT US
BACK

VALVES



You've known Swagelok valve quality for over six decades. Now trust these same valves in your critical processes. Our valves are offered in a variety of standard materials and end connections. In addition, we can manufacture and configure valves for the special needs of your applications. [Learn more about our Valves.](#)

REGULATORS AND MANIFOLDS



When it's precise pressure control you need, you need Swagelok regulators. With options like high-sensitivity and high-flow, there is a regulator to fit your power plant installation. [Learn more about our Regulators.](#)

Choose Swagelok manifolds to regulate fluid flow between pumps and actuators and other components in your fluid system. Specifically designed for Swagelok tube fittings. [Learn more about our Manifolds.](#)

CONTROL

With the right valves, manifolds and regulators for your application, precise control is a given with Swagelok.

CONNECT
CONVEY
CUSTOMISE
CONTACT US
BACK

CUSTOMIZE

Custom Solutions From project start to completion, sometimes you need to work with a supplier that provides a full range of products and solutions. Swagelok Custom Solutions refers to our expert capability to supply assemblies and fabrications using Swagelok products and other customer-specified components. Swagelok guides you every step of the way, from the design to the execution phase. And our expertise goes beyond our own components. We also deliver solutions that can include custom wiring, automation, and even third-party components. Swagelok Custom Solutions range from small form-factor to highly complex. Options include high-quality Swagelok components and the ease of implementation of such solutions as heated enclosures used in natural gas combined cycle power plants with heat recovery steam generators (HRSGs), and other applications. Heated enclosures help to protect your cost investment from temperature extremes and optimize performance. [Learn more about our Custom Solutions.](#)

Swagelok Energy Advisors If your process requires a thorough end-to-end analysis to optimize performance, contact Swagelok Energy Advisors for a steam system evaluation. Our extensive field experience in steam and condensate systems utility plant operations let you tap into our system evaluations, engineering, and training programs, based on your unique requirements. [Learn more from your local Swagelok Authorized Sales and Service Center](#) or by visiting www.swagelokenergy.com.



CUSTOMISE

From project start to completion, sometimes you need to work with a supplier that provides a full range of products and solutions. Swagelok Custom Solutions and Swagelok Energy Advisors can provide a solution based on your unique requirements.

CONNECT
CONVEY
CONTROL
CONTACT US
BACK

WE'RE GLOBAL. AND LOCAL.

It's always best to start a project when the hardware store is open. Isn't it good to know you can count on Swagelok for the same kind of availability and support? A world-class manufacturer with global representation and over 200 local sales and service centers—so expertise and support are always close at hand—wherever in the world you are. [Learn more about Swagelok.](#)



Inventory Management and On-site Warehousing Swagelok can provide customized inventory management services as well as just-in-time delivery for optimum stock levels. [Learn more about Inventory Management and On-site Warehousing.](#)

Equipment Sales and Rental Borrow or rent backup equipment from us to keep your processes up and running smoothly. [Learn more about Equipment Sales and Rental.](#)

Customized Training Help your employees or contactors acquire skills in fluid system technologies, orbital welding, valve selection, steam fundamentals, and tube bending, among more than a hundred other class offerings. [Learn more about Customised Training.](#)

CONTACT US

[Find your local distributor](#)

CONNECT
CONVEY
CONTROL
CUSTOMISE
BACK

DESIGN A RELIABLE SYSTEM

When you're the Engineer specifying a system, you're on the line to perform, too. Cost overruns and unreliability don't factor into getting the job done. Count on Swagelok to supply the quality and reliability you need to deliver solutions under the most demanding conditions.

CONTINUE 

 BACK

WHEREVER YOU ARE, WE ARE.

COMBINED CYCLE

Along with the valves, tubing, tube fittings and instrumentation you need, Swagelok also provides custom solutions like heated enclosures to protect Heat Recovery System Generator instrumentation.

TRADITIONAL FOSSIL FUEL

Fossil-fuel driven plants require lots of different subsystems—boilers, steam generators, turbines, and transmission lines, just to name a few. No matter what your system requirements are, Swagelok products help you meet them.

NUCLEAR POWER

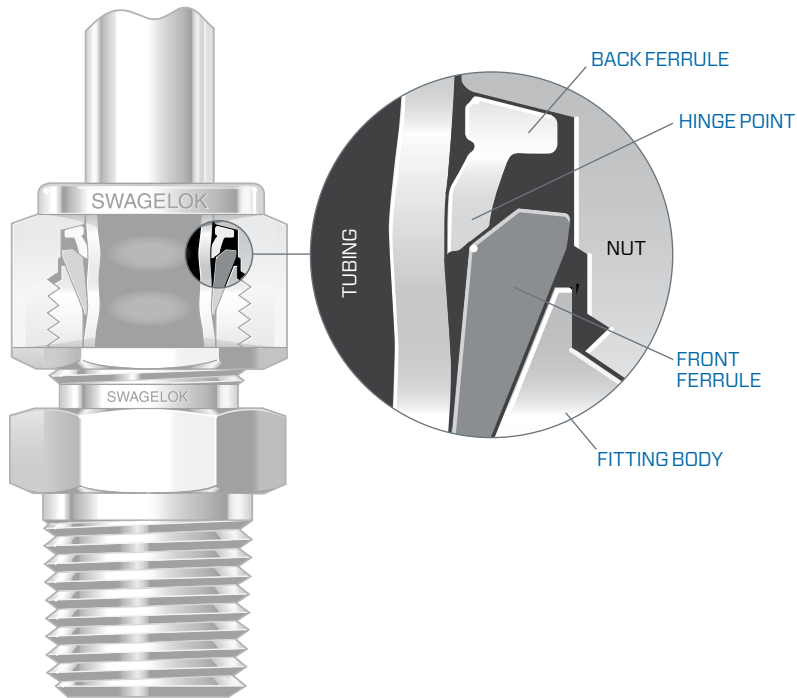
Swagelok meets or exceeds nuclear industry requirements for quality and documentation as well as ASME Section III, NQA-1, 10CFR50 Appendix B, and ASME B16.34 certifications.

CONTINUE



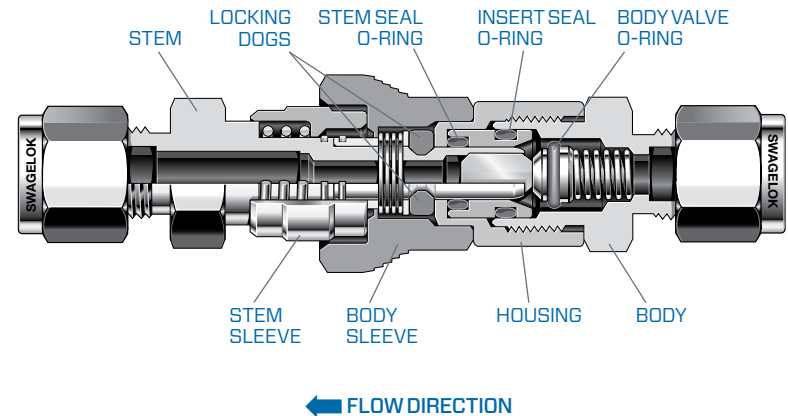
← BACK

TUBE FITTINGS



Want to know more about the Swagelok advantage? The special swaging action of our tube fittings helps you achieve a tight fit and reliable connection the first time, every time, to ensure fluid system performance. [Learn more about Swagelok Tube Fittings.](#)

QUICK-CONNECTS

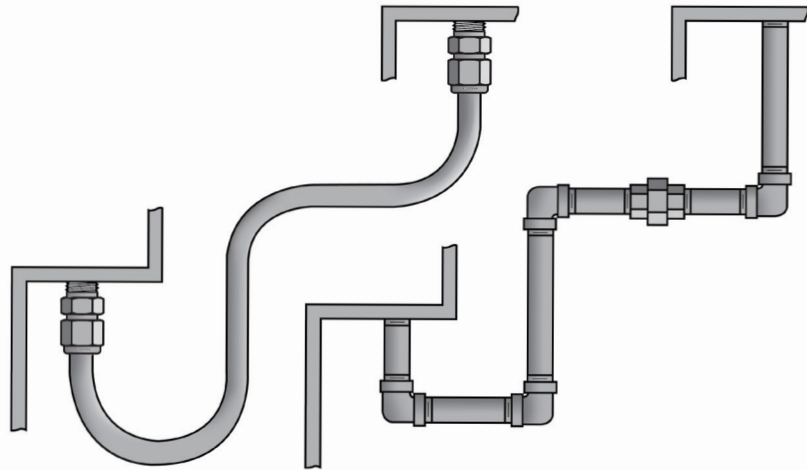


Simplify your installation even more—and still ensure fluid system integrity with Swagelok Quick-Connects. Push-to-lock connection means no tools or wrenching necessary. [Learn more about our Quick-Connects.](#)

CONNECT From tube fittings to quick connects, Swagelok connects your fluid systems with proven performance and reliability.

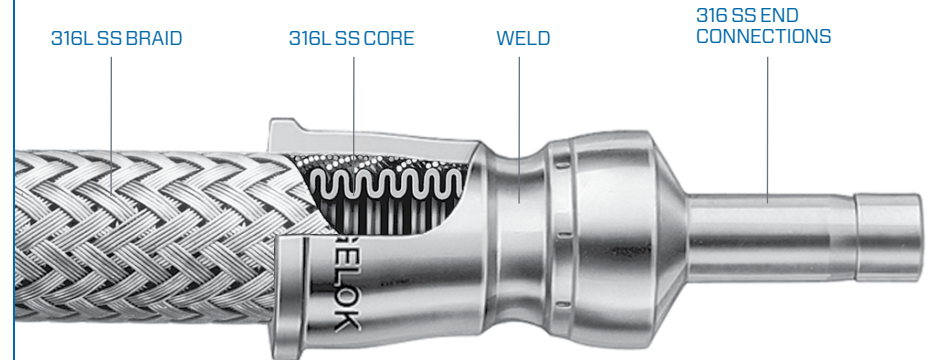
CONVEY
CONTROL
CUSTOMISE
CONTACT US
BACK

SMALL BORE (TUBE VS. PIPE)



Whether it's a new construction or a retrofit, power plant tolerances can be tight. Swagelok offers small bore (up to 2 in. [50 mm] O.D.) tubing solutions to lessen the amount of installation space needed. Using tubing also improves safety by eliminating the need for welding in hazardous environments. And small bore tubing reduces the number of connections and potential leak points to improve fluid flow through the system. [Learn more about Small Bore.](#)

FLEXIBLE TUBING AND HOSE



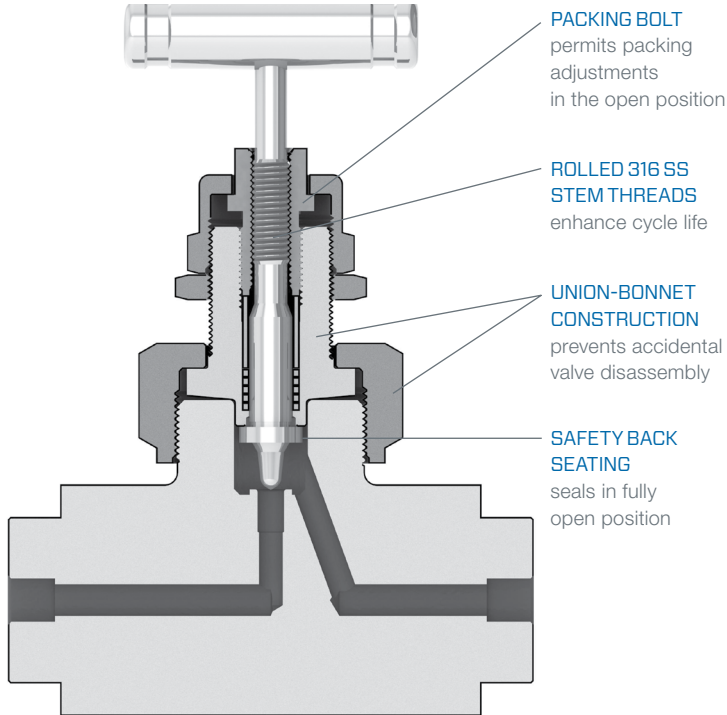
Swagelok offers flexible tubing and hose for a variety of process requirements, like temperature, pressure, flow, chemical compatibility and drainability. Selecting wisely means evaluating hose longevity, maintenance and replacement costs, and other cost-of-ownership factors. Like all our other products, flexible tubing and hose meet or exceed stringent quality standards. [Learn more about our Flexible Tubing and Hose.](#)

CONVEY

Whatever your application, Swagelok has the small-bore and flexible tubing and hoses to form the backbone of your fluid delivery system.

CONNECT
CONTROL
CUSTOMISE
CONTACT US
BACK

VALVES



When you're designing a critical application, you know how important quality is. You've known Swagelok valve quality for over six decades. Now trust these same valves in the systems you've been entrusted to create—no matter how demanding the application. [Learn more about our Valves.](#)

MANIFOLDS AND REGULATORS

BONNET-TO-BODY SEAL
Metal-to-metal seal eliminates the need for O-ring seals.

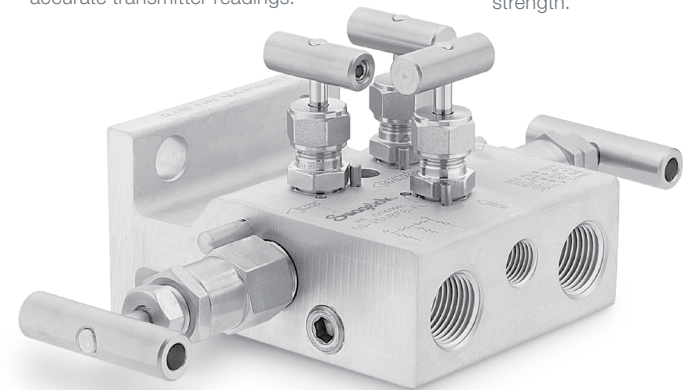
FLANGE CONNECTIONS
Flange design meets the requirements of MSS SP-99.

INTERNAL FINISH
Burr-free threads and internal surfaces reduce leaks, promoting accurate transmitter readings.

SAFETY STOP PIN
316 stainless steel pin prevents detachment of the bonnet from the body due to vibration.

MATERIALS OF CONSTRUCTION
All 316 stainless steel construction. Designed with 4:1 design factor.

BODY DESIGN
One-piece construction provides strength.



Multiply your fluid system options with Swagelok manifolds that ensure fluid system throughput. [Learn more about our Manifolds.](#)

Swagelok's line of specialty regulators is especially suited to demanding or hazardous installations. Choose from regulators that eliminate costly system downtime and the expense of continuously monitoring a gas supply, as well as those rated for use in hazardous areas. [Learn more about our Regulators.](#)

CONTROL With the right valves, manifolds and regulators for your application, precise control is a given with Swagelok.

CONNECT
CONVEY
CUSTOMISE
CONTACT US
BACK

CUSTOMIZE

Custom Solutions From project start to completion, sometimes you need to work with a supplier that provides a full range of products and solutions. Swagelok Custom Solutions refers to our expert capability to supply assemblies and fabrications using Swagelok products and other customer-specified components. Swagelok guides you every step of the way, from the design to the execution phase. And our expertise goes beyond our own components. We also deliver solutions that can include custom wiring, automation, and even third-party components. Swagelok Custom Solutions range from small form-factor to highly complex. Options include high-quality Swagelok components and the ease of implementation of such solutions as heated enclosures used in natural gas combined cycle power plants with heat recovery steam generators (HRSGs), and other applications. Heated enclosures help to protect your cost investment from temperature extremes and optimise performance. [Learn more about our Custom Solutions.](#)

Swagelok Energy Advisors If your process requires a thorough end-to-end analysis to optimize performance, contact Swagelok Energy Advisors for a steam system evaluation. Our extensive field experience in steam and condensate systems utility plant operations let you tap into our system evaluations, engineering, and training programs, based on your unique requirements. [Learn more from your local Swagelok Authorised Sales and Service Center](#) or by visiting www.swagelokenergy.com.



CUSTOMISE

From project start to completion, sometimes you need to work with a supplier that provides a full range of products and solutions. Swagelok Custom Solutions and Swagelok Energy Advisors can provide a solution based on your unique requirements.

CONNECT
CONVEY
CONTROL
CONTACT US
BACK

WE'RE GLOBAL. AND LOCAL.

It's been said that you should start a project when the hardware store is open. Isn't it good to know you can count on Swagelok for the same kind of availability and support? A world-class manufacturer with global representation and over 200 local sales and service centers. So expertise and support is always close at hand—wherever in the world you are. [Learn more about Swagelok.](#)

Construction and Project Management Coordinate your project and connect with a single point of contact to authorized Swagelok Sales and Service Centers worldwide. Sales and product support, right where and when you need it most. [Contact your authorized Sales and Service Representative](#) or [learn more about Construction and Project Management.](#)

Simplified Procurement Let Swagelok handle negotiating terms and conditions, providing blanket purchase orders, and all the associated paperwork while you focus on your system design. [Learn more about Simplified Procurement.](#)



CONTACT US

[Find your local distributor](#)

CONNECT
CONVEY
CONTROL
CUSTOMISE
BACK