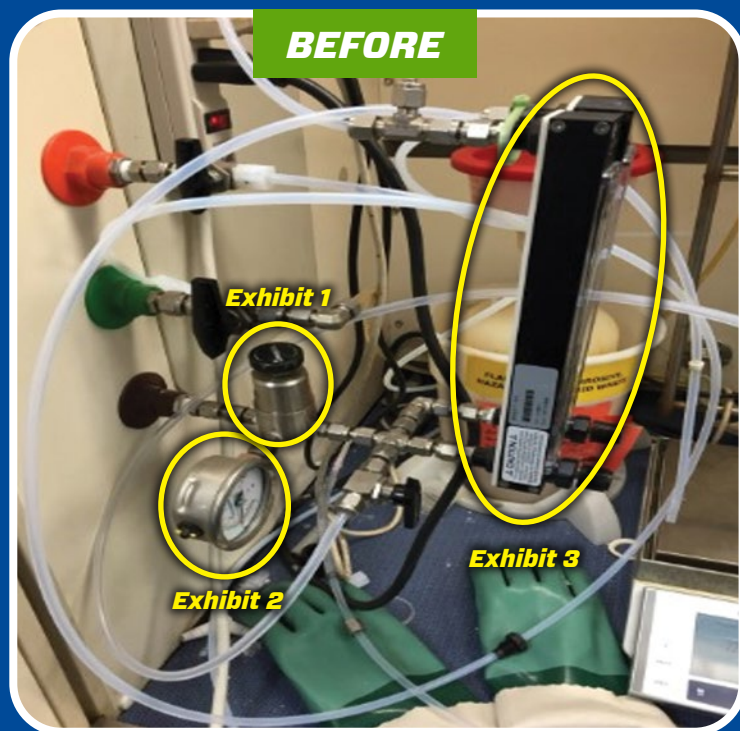


Swagelok Pittsburgh | Tri-State Area

Your Local Swagelok® Fluid-System Solutions Provider

A Chemical customer needed to significantly upgrade the safety, productivity, and efficiency around its Nitrogen applications inside the company's Research & Development lab.



Your Challenge

- 10 lab hoods involved, but no two housed the same setup
- Many components were unsupported, with gas leakage always a major concern
- Simply far too many connections throughout each unique setup
- Gas lines randomly placed throughout lab; no formal organization
- Overall poor space management within lab
- **See Exhibit 1:** Regulator handle not optimally positioned
- **See Exhibit 2:** Gauge is sideways; difficult to read
- **See Exhibit 3:** Components unsupported and too far from one another; only tube fittings holding everything in place

Your Solution

Swagelok Pittsburgh | Tri-State Area collaborated extensively with our customer to help design and build 10 custom N2 instrumentation panels to required specifications.

- Now, all setups are uniform under each lab hood, greatly reducing chance for operator errors – while enhancing overall lab safety.
- Workspace has been substantially improved; clutter eliminated
- Significantly fewer connections involved
- Panels include four outlets: Three controlled by panel regulator (two filtered/one unfiltered) and one panel bypass – to facilitate expanded and simultaneous lab experiments.
- Built-in regulator enables system pressure to be dialed down to 3 psi for use with low-pressure/glass reactors
- Additional filters can be plugged into panels

We can custom-design panels for your specific needs!

Your Healthy Bottom Line:

Swagelok delivered a top-quality, highly dependable, cost-effective N2 panel that enabled customer to realize vastly improved safety, operational consistency, and repeatable performance throughout its lab.

Your Helping Hand

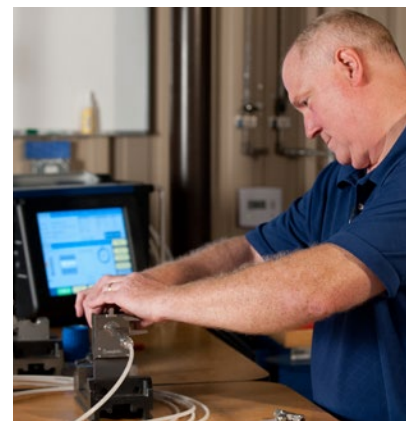
If you're short on manpower or your key personnel could be performing more critical work, our extensive, proven, and cost-effective **Swagelok® Design and Build services** could help improve your Bottom-Line health.



We can engineer and assemble safe, premium-quality, repeatable, and easily configurable fluid-system **instrumentation panels, skids, and enclosures** – including testing, inspection, and packaging – with all work 100%-certified by Swagelok Company and covered by the Swagelok Limited Lifetime Warranty.

Just some of our local capabilities:

- Orbital Welding
- Helium Leak Testing
- OEM Subassemblies
- CAD Assistance
- P&ID Assistance
- Complex and Simple Tube Bending
- Hose Assembly and Testing
- Sample Cylinder Assemblies
-and so much more!



Swagelok Grab Sampling System Panels

Enable and ensure safe, efficient capture of liquid or gas samples from pipelines, tanks, or process for storage and transportation to a lab for analysis... with chemical composition pristinely maintained!

Two styles available:

GSM, which uses pressure-containing metal cylinders to deliver a sample that's held under the same process conditions as when extracted.



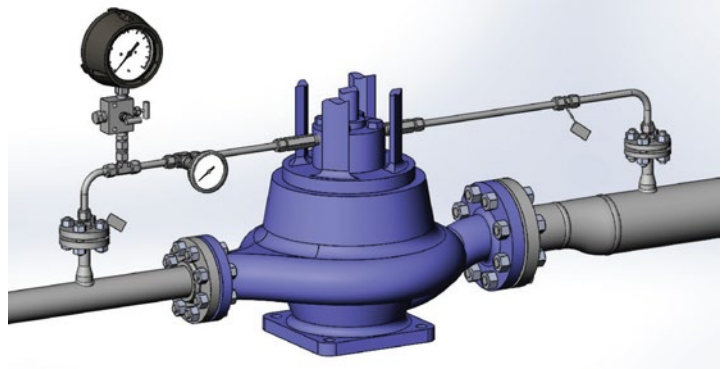
GSL, which employ economical, non-pressure-containing glass or polyethylene bottles with a self-sealing septum cap to prevent spillage.



Swagelok Mechanical Seal Support Systems

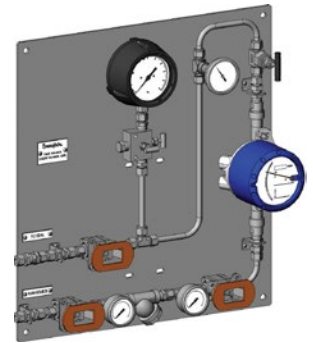
Ultra-reliable, simple to install and maintain, and will dramatically reduce your rotating equipment's leakage, harmful emissions, and pump vibration - with zero pipe threads and minimal connections involved!

Seal Plan Kits, with bent tubing and other 2" and under Swagelok Componentry.



Seal Plan Assemblies, including panels, seal pots, and skids.

All Swagelok Process Side Panels, Atmospheric Side Plans, and Between Seal Plans solutions are guided by API 682 designs.



Swagelok Grab Distribution Program

Your ideal remedy when your system operation is not intuitive, when leakage is a concern, or when your gas panels are difficult to service - protect your workers, increase uptime, and improve overall process accuracy and repeatability!



Save time, money and worry with Swagelok fabrication expertise and application solutions. Contact:

Gary Osman
Swagelok Field Engineer

gary.osman@swagelok.com • 412.761.3212



P: 412.761.3212 W: pittsburgh.swagelok.com

[@SwagelokPGH](https://www.facebook.com/SwagelokPGH) [SwagelokPittsburgh](https://www.facebook.com/SwagelokPittsburgh) [in Swagelok Pittsburgh | Tri-State Area](https://www.linkedin.com/company/Swagelok-Pittsburgh)

All service marks and trademarks shown are owned and registered by Swagelok Company. © 2021 Swagelok Company. www.swagelok.com

Swagelok

Swagelok Pittsburgh | Tri-State Area