

Series 40

Weld Head



User's Manual

English.	1
Japanese (日本語)	33

Series 40

Weld Head



User's Manual

Swagelok®

Contents

Description5
Unpacking the Weld Head Components6
Installing the Weld Head.7
Selecting the Electrode8
Installing the Electrode10
Preparing the Work11
Operating the Weld Head12
Performing Daily Maintenance14
Performing Periodic Maintenance15
Weld Head Cleaning and Inspection16
Specifications20
Parts Drawings21

Description

Swagelok series 40 welding system components deliver consistent, precise welds for outside tube diameters ranging from 1 1/2 to 4 in. and 38.1 to 114.3 mm and pipe diameters ranging from 1 1/4 to 4 in. and 42.2 to 114.3 mm.

A dc motor in the weld head drives a rotor, which revolves the tungsten electrode around the weld joint. Optical circuitry in the weld head sends precise feedback to the power supply to control the speed of the rotor.

All moving parts in the weld head are mounted in low-friction devices to provide smooth, consistent operation.

A spring-loaded, floating brush maintains contact with approximately two-thirds of the circumference of the rotor. This configuration ensures consistent, uniform electrical conductance to the rotor and electrode.

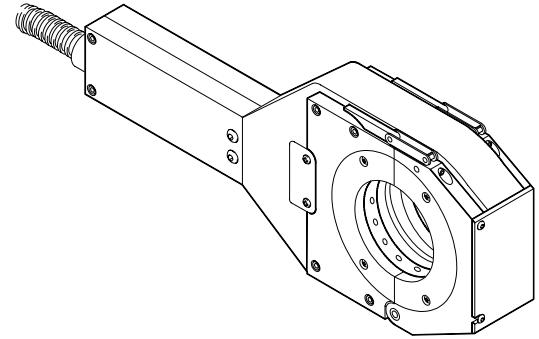


Figure 1 Series 40 Weld Head

Unpacking the Weld Head Components

The weld head assembly and tool package are packaged in a foam-lined shipping container. Perform the following steps when your Swagelok series 40 weld head arrives.

1. Inspect the container for damage.
2. Remove the components from the container.
3. Check the items for any damage.
4. Verify that the weld head serial number matches the serial number on the shipping container.
5. Record the model and serial numbers, and the delivery dates on the Registration Information page of your power supply user's manual.

Installing the Weld Head

The weld head assembly has four connectors that plug into the power supply. See Figure 2.

The four connectors on the cable are:

- weld head
- electrode (red)
- work (green)
- weld head shielding gas

Connect the four connectors to the side panel of the power supply by performing the following steps. See Figure 3.

1. Locate the weld head cable assembly.
2. Align the notch on the one-quarter turn connector with the small tab in the mating socket on the side panel labeled WELD HEAD. Insert the connector in the socket. Turn the connector sleeve clockwise by hand until it is tight. This connection provides the control signals to drive the weld head.
3. Insert and fully seat the red connector into the socket on the side panel labeled ELECTRODE. Twist the connector 1/4-turn clockwise to lock it into place. This connection is the negative (-) terminal of the weld head.
4. Insert the green connector into the socket on the side panel labeled WORK. Twist the connector 1/4-turn clockwise to lock it into place. This connection is the positive (+) terminal of the weld head.
5. Insert the weld head shielding gas connector into the Swagelok Quick-Connect stem labeled TO WELD HEAD. Ensure that the connector is firmly attached. This connection provides shielding gas to the weld head through a mass flow controller in the power supply.

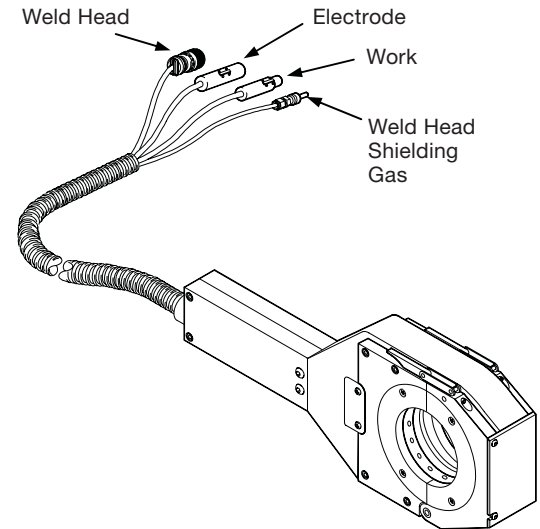


Figure 2 Weld Head Assembly

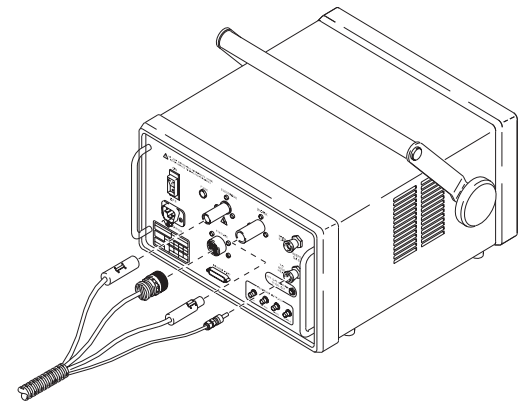


Figure 3 Weld Head Connectors



Caution!

Ensure that the weld head connector is fully seated in the mating socket and the threaded sleeve is tight.

Note:

The weld head shielding gas connector must be a single-end shut-off (SESO) Swagelok Quick-Connect stem (SS-QC4-S-400).

Swagelok

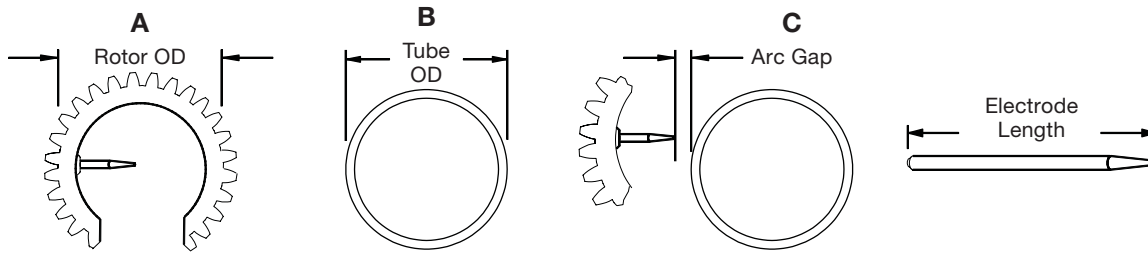
Selecting the Electrode

Electrode length depends on the desired arc gap and outside diameter of the work piece being welded. To select the correct electrode use the Tungsten Electrode Length Calculation. Once you have the correct length calculated either select an electrode from stock using the Electrode Selection Table or place a special order.

Tungsten Electrode Length Calculation

To determine the tungsten electrode length for a specific arc gap, use the formula below:

$$(\text{Rotor OD} \div 2) - (\text{Tube OD} \div 2) - \text{Arc Gap} = \text{Electrode Length}$$



Rotor OD = 6.850 in. (173,99 mm)

Figure 4 Electrode Length Calculation Parameters

Example No. 1: (1.5 in. to 1.5 in. tube butt weld)

Rotor OD	A = 6.850 in.
Tube outside diameter	B = 1.500 in.
Desired arc gap	C = 0.060 in.

$$(6.850 \div 2) - (1.500 \div 2) - 0.060 \text{ in.} = 2.615 \text{ in.}$$

Example No. 2: (38,1 mm to 38,1 mm tube butt weld)

Rotor OD	A = 173,99 mm
Tube outside diameter	B = 38,10 mm
Desired arc gap	C = 1,52 mm

$$(173,99 \div 2) - (38,10 \div 2) - 1,52 \text{ mm} = 66,425 \text{ mm}$$

Table 1 Electrode Selection for 0.060 in. Arc Gap

Electrode Ordering Number	Component OD	Electrode Length L	Electrode Diameter D
SWS-C.094-2.615-P	1.5 in.	2.615 in. (66,40 mm)	0.094 in. (2,39 mm)
SWS-C.094-2.365-P	2.0 in.	2.365 in. (60,07 mm)	0.094 in. (2,39 mm)
SWS-C.094-2.115-P	2.5 in.	2.115 in. (53,72 mm)	0.094 in. (2,39 mm)
SWS-C.094-1.865-P	3.0 in.	1.865 in. (47,37 mm)	0.094 in. (2,39 mm)
SWS-C.094-1.615-P	3.5 in.	1.615 in. (41,02 mm)	0.094 in. (2,39 mm)
SWS-C.094-1.365-P	4.0 in.	1.365 in. (34,67 mm)	0.094 in. (2,39 mm)
SWS-C.094-1.105-P	4.5 in.	1.105 in. (28,07 mm)	0.094 in. (2,39 mm)

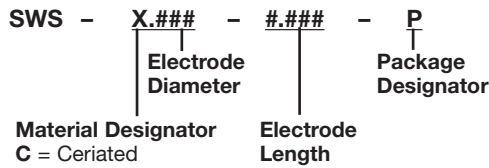
Note:

Auto generated programs are exact lengths. You may substitute another length that is within 0.005 in.

Electrode Geometry

This illustration shows the electrode shape Swagelok suggests. Properly ground electrodes provide consistent, repeatable welds. Pre-ground electrodes are available from your Swagelok representative. See the Orbital Welding System, Series 40, catalog, MS-02-140, for ordering information.

The electrode ordering numbers are assigned as follows:



The ceriated electrode material type is a mixture of 98 % tungsten and 2 % cerium and is commonly referred to as "2 % ceriated." This electrode type has demonstrated improved arc starting performance over the 2 % thoriated type, particularly when using purified shielding gas.

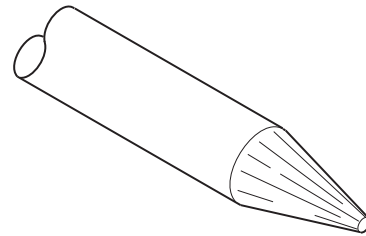


Figure 5 Tungsten Electrode

Installing the Electrode

1. With the weld head in the open position, press **JOG** or **ELECTRODE CHANGE** on the operator panel until the tungsten electrode is in the position shown in Figure 6.
2. Loosen the electrode set screw. Remove the electrode if you are replacing it.
3. Insert the new electrode until it is flush with the outside edge of the rotor.
4. Tighten the electrode set screw to secure the electrode.
5. Press **HOME** or **ELECTRODE CHANGE** on the operator front panel to return rotor to the home position.

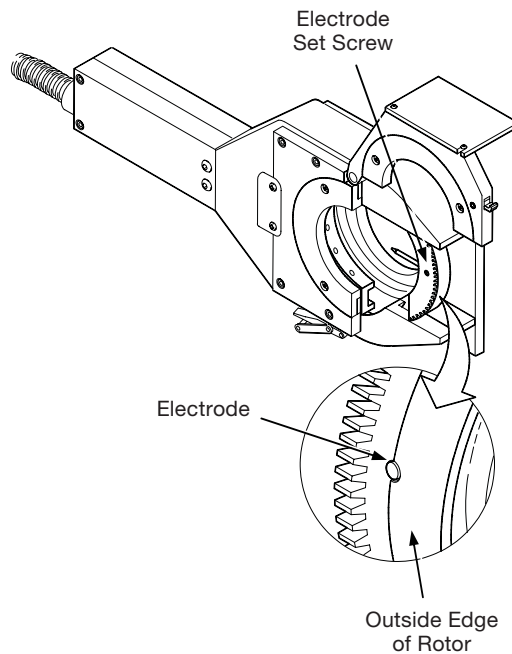


Figure 6 *Electrode Installation*



Caution!

Do not jog or move the rotor unless the electrode is clamped in place.



Caution!

The rotor will move when ELECTRODE CHANGE is pressed. The rotor is a potential pinch point.

Preparing the Work

It is important to prepare the tube pieces properly before welding. See Figure 7.

Tubing must be square and burr-free to ensure repeatable, high-quality autogenous fusion welds.

Cut the tubing to length with a hacksaw or tube cutter. Face the tube ends with a lathe or a portable facing tool. Deburr the ends, making sure that both the inside and outside diameters are square and burr-free. Clean the tube ends using an appropriate solvent.

Minimize the chance of a poor quality weld by following these guidelines:

- Tube ends must be square.
- Tube ends must not have a wall thickness variation exceeding $\pm 15\%$ of nominal.
- Tube ends must be burr-free.
- Tube ends must be free of any rust, grease, oil, paint, or other surface contaminants.

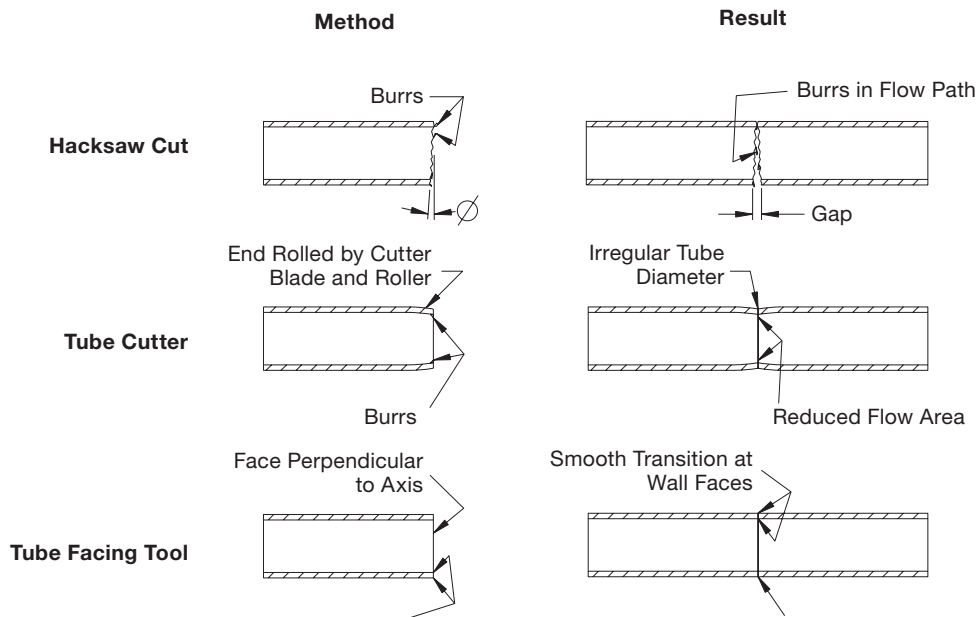


Figure 7 Tube Preparation

Operating the Weld Head

Operate the weld head using the following parameters:

Series 40

Shield Gas Flow Rate std ft ³ /h (std L/min)	30 to 50 ^① (14 to 23)
Minimum Prepurge and Postpurge Time	45 ^② seconds
Maximum Recommended Average Amps	100 A ^③

① Set flow to higher rates when welding at high current rates.

② Flow should be continuous for cooling when welding at high current rates.

③ When using optional weld lens over viewport, max is 120 A @ 50 % duty cycle.

Collet Installation

1. Select the appropriate set of collets according to the tube OD of the tubing to be welded.
2. Remove the four screws holding the collets on each side of the weld head.
3. Install the selected collet.
4. Reinstall the screws.

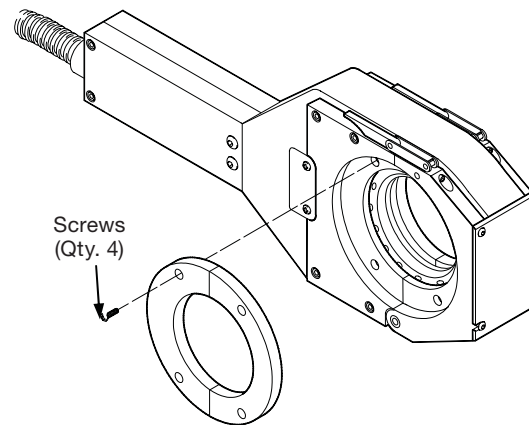


Figure 8 Installing the Collet

Work Piece Alignment

1. Open the window cover.
2. Open one of the fixture side plates.
3. Insert the first work piece aligning it with the tungsten electrode.
4. Close and latch the fixture side plate.
5. Open the other fixture side plate.
6. Insert the second work piece and butt the weld ends together.
7. Close and latch the fixture side plate.
8. Inspect the alignment by looking through the window cover to verify that the two work pieces are centered on the tungsten electrode.

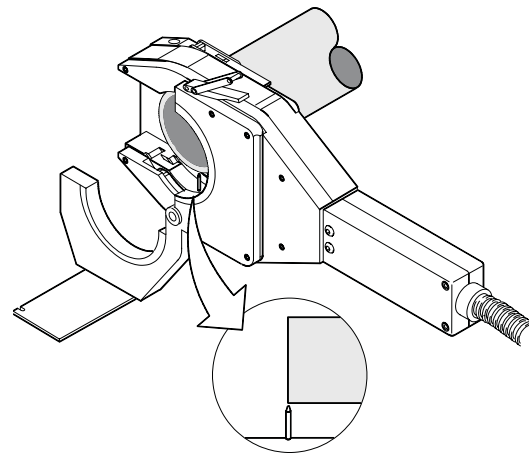


Figure 9 Aligning the Work Piece with the Electrode

Latch Tension Adjustment

1. Adjust the latch adjustment screws so that the latch is in position to exert appropriate tension on the tube.

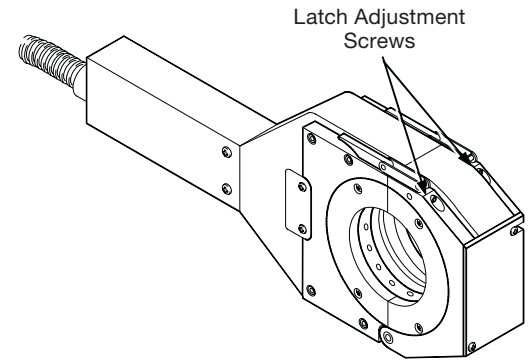


Figure 10 Adjusting the Latch Tension

Weld Head Mounting

1. Bolt the mounting bracket to the top of the bench.
2. Thread the power cord through the opening of the mounting bracket and seat the weld head in the position shown in Figure 11.

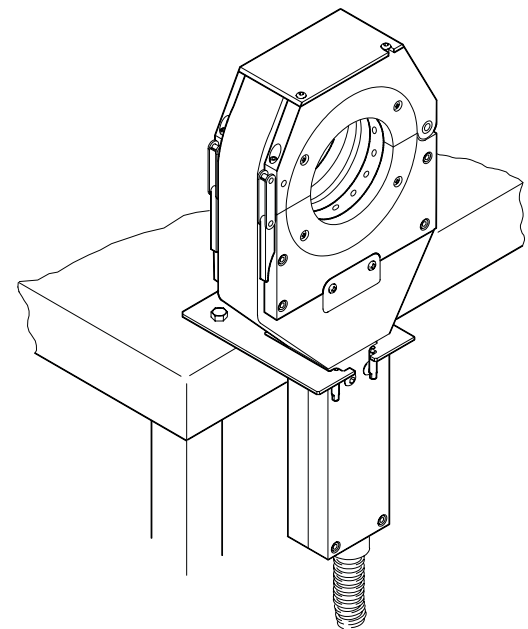


Figure 11 Mounting the Weld Head

Note: The weld head may be mounted as illustrated or turned 90°.

Performing Daily Maintenance

To keep your Swagelok welding system (SWS) equipment in proper working order, you must perform daily maintenance on the system components.

Store the weld head in a clean, dry place.

At the start of each workday remove dirt, carbon, and vapor deposits from the weld head rotor area with a clean, soft cloth and a solvent such as isopropyl alcohol.

Note: If you experience problems while performing the procedures in this section, refer to *Troubleshooting in power supply user's manual* or contact your authorized Swagelok representative.

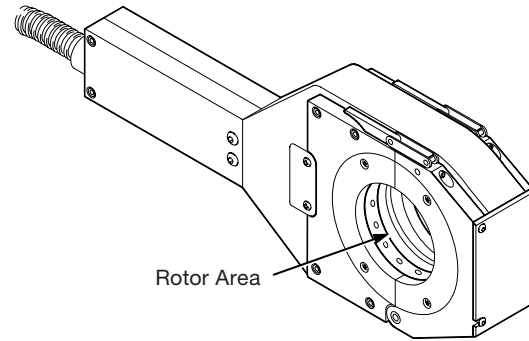


Figure 12 Inspect Exposed Surfaces of the Weld Head

Performing Periodic Maintenance

This section describes the procedures necessary for maintaining the weld head after every 400 to 500 welds.

Parts that are found to be defective during this procedure should be replaced. For detailed part drawings and ordering information, refer to the Part Drawings at the end of this manual. Spare parts are available through your authorized Swagelok representative.

1. Verify the fixture side plate will properly secure the work piece.
 - a. Install collets into one side of the fixture side plate.
 - b. Insert nominal sized tubing and close the fixture side plate using the lever cams.
 - c. Verify the tubing does not rotate in the collets.
 - d. Verify the tubing does not slide side-to-side in the collets.
 - e. Verify the tubing does not move up and down or left to right in the collets.
 - f. Repeat for the other side of the fixture side plate.
 - g. Contact your authorized Swagelok representative to return the fixture side plate for service.

WARNING!
DISCONNECT THE WORK AND ELECTRODE CABLES FROM THE POWER SUPPLY BEFORE PERFORMING MAINTENANCE.



Caution!

Do not use lubricants inside the weld head.

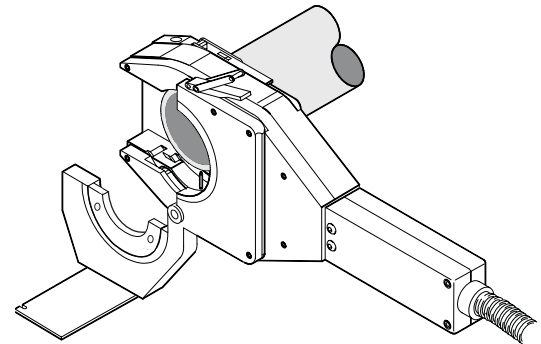


Figure 13 Verifying Work Piece is Secure

Weld Head Cleaning and Inspection

This section describes how to disassemble the weld head and rotor.

Weld Head

To disassemble the weld head, follow these steps:

1. Blow any loose material from the weld head assembly with clean, low-pressure air.
2. Remove the four screws from the left fixture side plate. See Figure 14.
3. Using a flat-bladed screwdriver, evenly pry the left fixture side plate off of the weld head housing being careful not to damage ends of threaded alignment studs.
4. Remove the long motor cover screws and the motor cover end screws. See Figure 15.

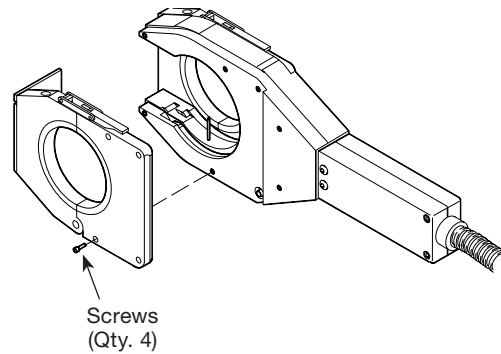


Figure 14 Removing the Left Fixture Side Plate

Note: As you remove the screws from the weld head organize them so that you can reinstall them in their original holes upon reassembly.

5. Remove the four weld head housing screws from the housing. Using a flat blade screwdriver, carefully separate the brush side from the gear side. See Figure 16.
6. Carefully separate the weld head housing halves so that internal components, such as the ground pin insulators and fixture pin insulator are not damaged. See Figure 16.

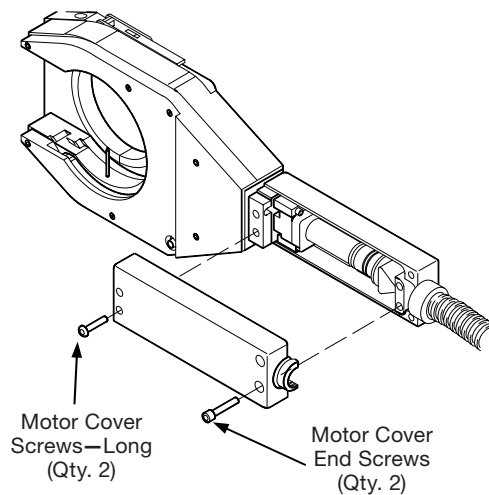


Figure 15 Removing the Motor Cover

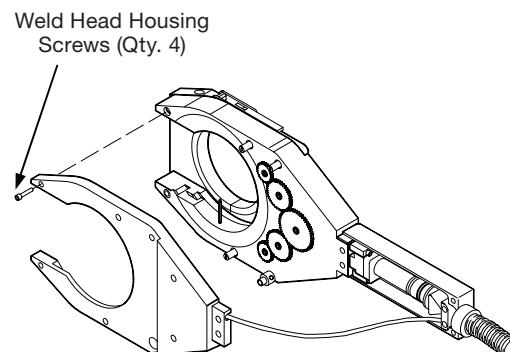


Figure 16 Disassembling the Weld Head Housing

Brush

1. Remove the three brush screws and the two clamping plate screws.
2. Remove the brush from the brush side of the housing assembly. See Figure 17.
3. Inspect and clean the brush using the following steps:
 - Check the brush for excessive wear. Contact your Swagelok representative if replacement is necessary.
 - Remove any oxidation from the brush surface and brush clamp plate with a nylon abrasive pad.
 - Turn the brush over and remove any oxidation from the area that contacts the brush clamp plate with a nylon abrasive pad.
 - Remove the residue left by the abrasive pad using isopropyl alcohol and a lint-free pad.
 - Remove residue from the brush groove with isopropyl alcohol and a lint-free pad.
4. Reinstall the brush making sure the springs are fully seated in the brush housing.
5. Screw the two short screws into the brush clamp plate.
6. Screw the three long screws into the brush housing.

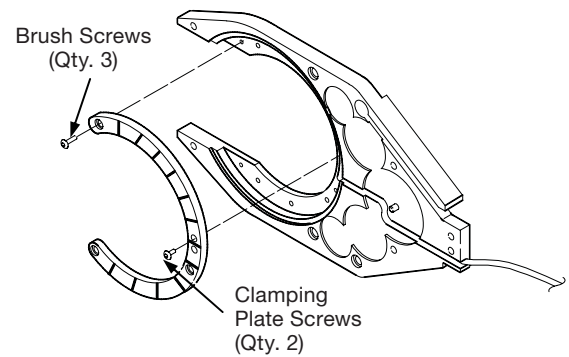


Figure 17 Removing the Brush

Note: The brush clamp plate is attached with two Torx Plus IP-8 screws. Use a Torx Plus T8 wrench to remove



Caution!

Be careful not to strip the heads or screw threads.

Note: The brush should demonstrate a spring action if installed properly.

Rotor

1. Inspect the gears for wear and replace if damaged by referring to the Gear Side Assembly drawing on page 24.
2. Remove the rotor from the gear side of the housing assembly. See Figure 18.
3. Place the rotor on a clean, dry surface.
4. Inspect the rotor bearing assemblies for wear and damage. Contact your Swagelok representative if replacement is necessary.
5. If the rotor bearing assemblies are dirty, clean them with isopropyl alcohol.
6. Inspect the rotor for dirt and other deposits. Remove dirt or other deposits with a nylon abrasive pad.
7. Remove residue from the rotor track with isopropyl alcohol and a lint-free pad.
8. Remove the actuator tab. Inspect it for excessive wear. Replace if necessary.
9. Remove dirt or other deposits from the actuator tab with a nylon abrasive pad.
10. Remove residue left by the nylon abrasive pad from the actuator tab with isopropyl alcohol and a lint-free pad.
11. Reinstall the actuator tab.
12. Reinstall the rotor onto the rotor track making sure that it is centered.

Weld Head Reassembly

1. Reinstall the brush side assembly onto the gear side assembly.
2. Replace the left side of the motor cover making sure the cable cover is seated in the stress reliever.
3. Replace the left side fixture plate.

Note: Make any necessary gear replacements before reinstalling the rotor.

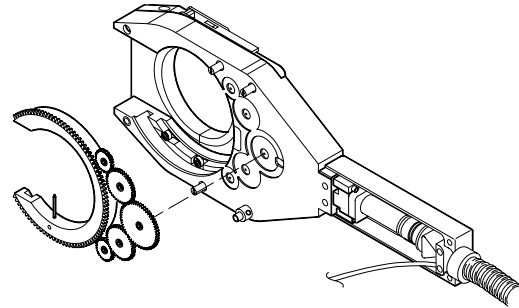


Figure 18 Removing the Rotor

Note: If the fixture side plate screws thread into the alignment studs and cause both to rotate without tightening, insert an Allen wrench into the alignment stud to keep it in place while you finish tightening the fixture side plate screws.

Home Sensor Adjustment

Test the home sensor assembly for proper operation by pressing HOME on the power supply.

If the rotor rotates continuously you will need to adjust or replace the home sensor actuator.

1. Remove the actuator cover. See Figure 19.
2. Slightly loosen the actuator plate screws.
3. Slowly rotate the home actuator switch adjustment cam clockwise until the rotor finds the home position.
4. Rotate the home actuator switch adjustment cam an additional 5°.
5. Tighten the actuator plate screws.
6. Press **HOME** on the power supply to verify the adjustment.
7. Reinstall the actuator cover

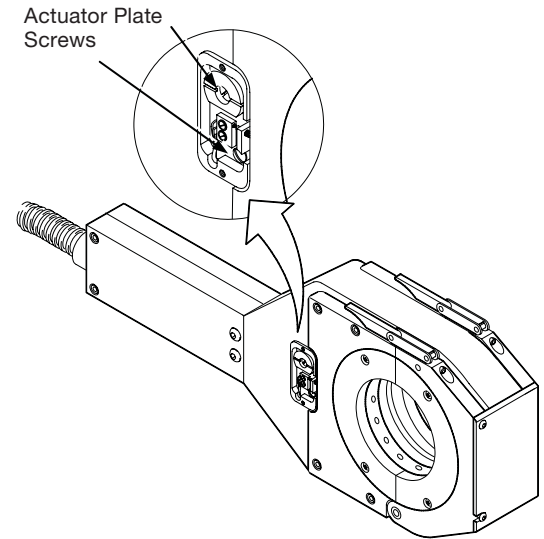


Figure 19 Adjusting the Home Sensor



Caution!

Over-adjustment of the cam will cause the home sensor to fail prematurely due to excessive pressure. Adjust the cam just past the point where the home sensor “clicks” when actuated.

Actuator Replacement

If adjusting the home sensor assembly does not activate the home sensor assembly, you will need to replace the actuator.

1. Remove the right fixture side plate. See Figure 20.
2. Remove and replace the home sensor actuator.
3. Repeat steps 1 to 7 of Home Sensor Adjustment.
4. Reinstall the right fixture side plate.

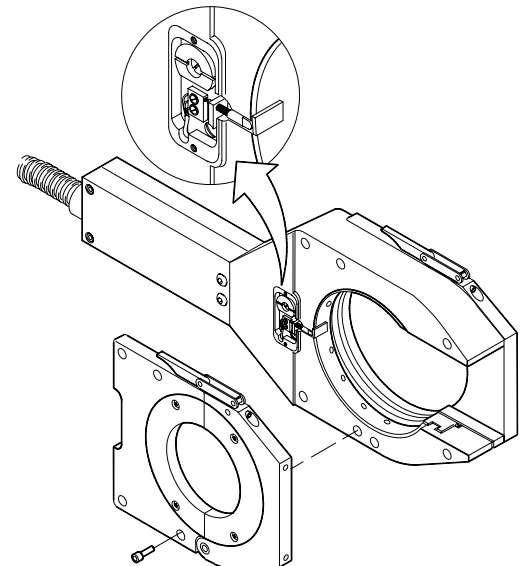


Figure 20 Replacing the Actuator

Specifications

Component	Dimensions		Weight
Weld Head	Length	19.2 in. (48,8 cm)	14.30 lb (6,49 kg)
	Width	8.0 in. (20,3 cm)	
	Thickness	2.8 in. (7,1 cm)	
Power Cord	Length	15 ft. (457,2 cm)	4.5 lb (2,04 kg)
		35 ft. (1066 cm)	10.28 lb (4,66 kg)
		50 ft. (1524 cm)	14.5 lb (6,58 kg)
Collets	Tube OD	2.0 in. set (5,08 cm)	7.58 lb (3,44 kg)
		3.0 in. set (7,62 cm)	6.24 lb (2,83 kg)
		4.0 in. set (10,16 cm)	4.38 lb (1,99 kg)
Case	Length	23.25 in. (59,1 cm)	13 lb (5,9 kg)
	Width	20.75 in. (52,7 cm)	
	Thickness	9.0 in. (22,86 cm)	

Parameter	Specification
Max Rotor Speed	2.5 r/min Maximum
E-distance	1.4 in. (35,56 mm) to the center of the electrode

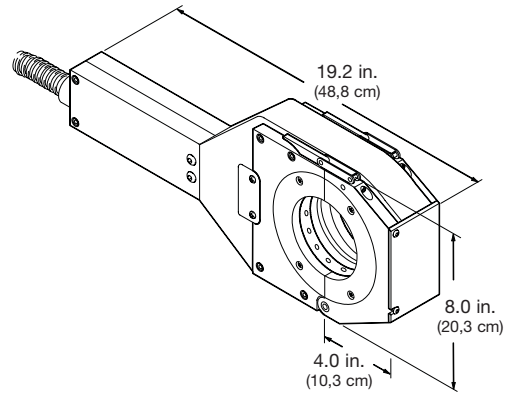


Figure 21 Specifications

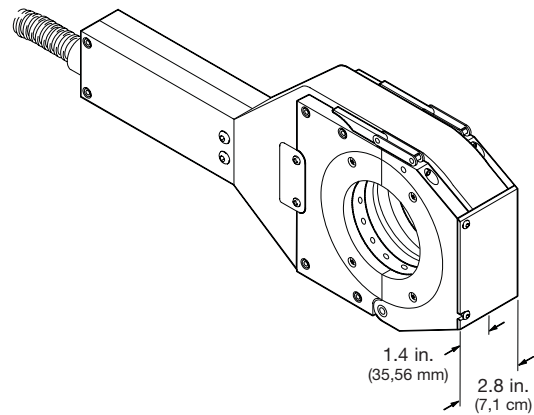


Figure 22 E-Distance

Parts Drawings

This section includes exploded assembly drawings and associated parts lists. These drawings are provided as a guide to identifying part names. For specific part ordering information, contact your Swagelok representative.

The parts identified in this section include:

- SWS-40H Weld Head Assembly
- SWS-40H Gear Side Assembly
- SWS-40H Brush Side Assembly
- SWS-40H Fixture Side Plate Assembly – Left
- SWS-40H Fixture Side Plate Assembly – Right
- SWS-40H Motor Drive Assembly

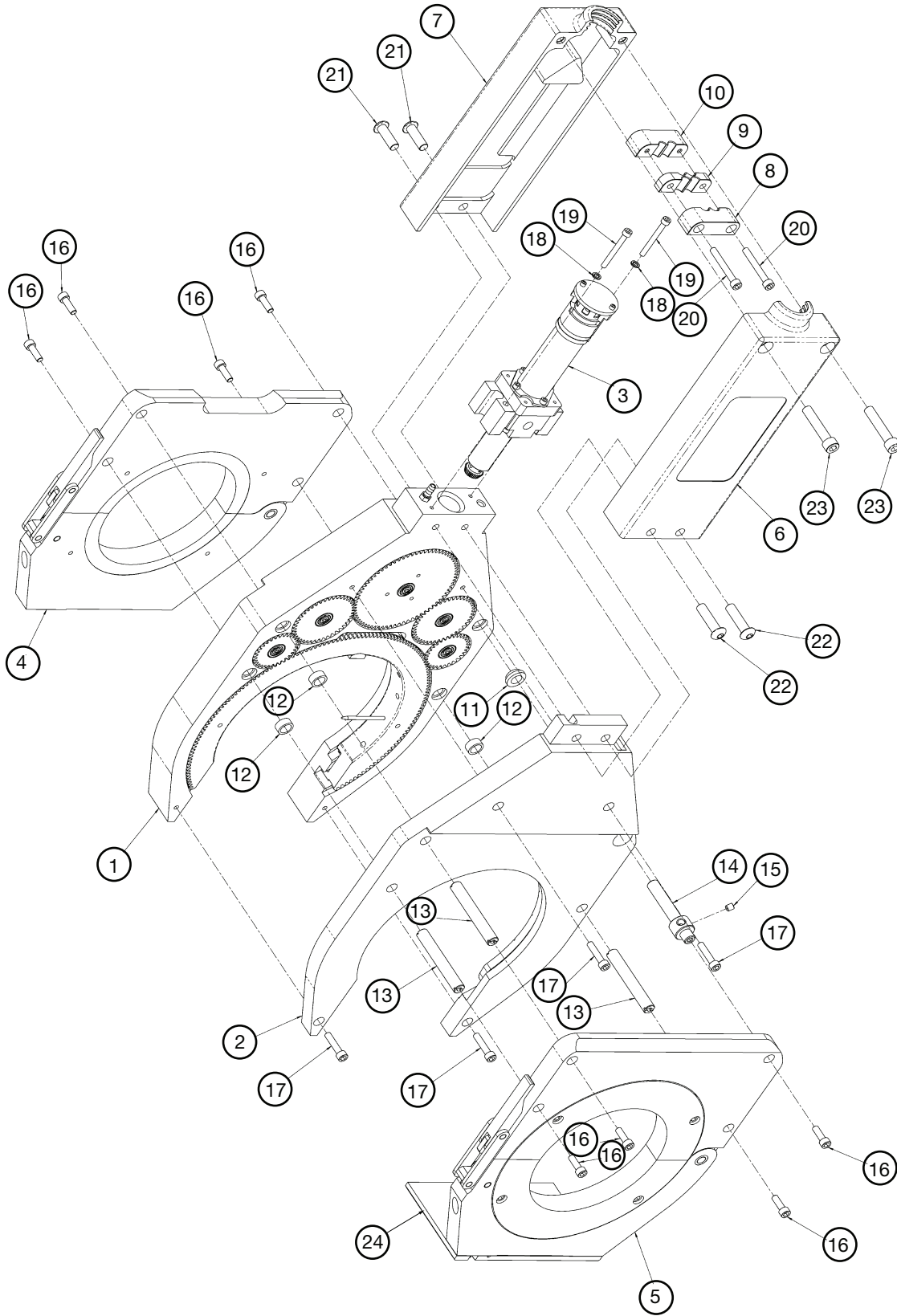


Figure 23 SWS-40H Weld Head

Table 4 SWS-40H Weld Head Parts List

Ref No.	Description	Ordering Number	Available in Kit No.	Minimum Order Quantity
1	Gear Side Housing Assembly	—	SWS-40H-D-GSA	1
2	Brush Side Housing Assembly	—	SWS-40H-D-BSA	1
3	Motor Drive Assembly	Note 1	Note 1	—
4	Fixture Side Plate Assembly—Right	—	SWS-40FSP1R	1
5	Fixture Side Plate Assembly—Left	—	SWS-40FSP1L	1
6	Motor Cover—Left	—	SWS-40H-MTR-CVR-LT	1
7	Motor Cover—Right	—	SWS-40H-MTR-CVR-RT ^②	1
8	Cord Strain Relief—Left	—	SWS-40H-STRN-RF	1
9	Cord Strain Relief—Middle	—		
10	Cord Strain Relief—Right	—		
11	Ground Pin Insulator	SWS-40H-GND-PIN-INSUL	—	1
12	Fixture Pin Insulator	SWS-40H-FXT-PIN-INSUL	—	1
13	Fixture Pin	SWS-40H-FXT-PIN	—	1
14	Ground Pin	—	SWS-40H-GND-PIN	1
15	Socket Head Set Screw 8-32 x 0.188 Cup Point	188-SSAC-164-32-188	—	10
16	Socket Head Cap Screw 8-32 x 0.500	188-SCSA-164-32-500	—	10
17	Socket Head Cap Screw 8-32 x 0.750	188-SCSA-164-32-750	—	10
18	Motor Drive Assembly Mounting Screw Lock Washers	Note 1	Note 1	—
19	Motor Drive Assembly Mounting Screws	Note 1	Note 1	—
20	Socket Head Cap Screw 8-32 x 1.250	188-SCSA-164-32-1250	—	10
21	Button Head Cap Screw ¼-20 x 0.750	188-SCBA-250-20-750	—	10
22	Button Head Cap Screw ¼-20 x 1.000	188-SCBA-250-20-1000	—	10
23	Socket Head Cap Screw ¼-20 x 1.250	188-SCSA-250-20-1250	—	10
24	Standard Window Cover	SWS-40H-WIN-CVR	—	1
25	Optional Weld Lens Window Cover ^③	—	SWS-WIN-WL-CVR	1

① Not available as a field replacement spare part.

② Customer must provide model and serial number when ordering replacement part.

③ Part is not shown in the drawing.

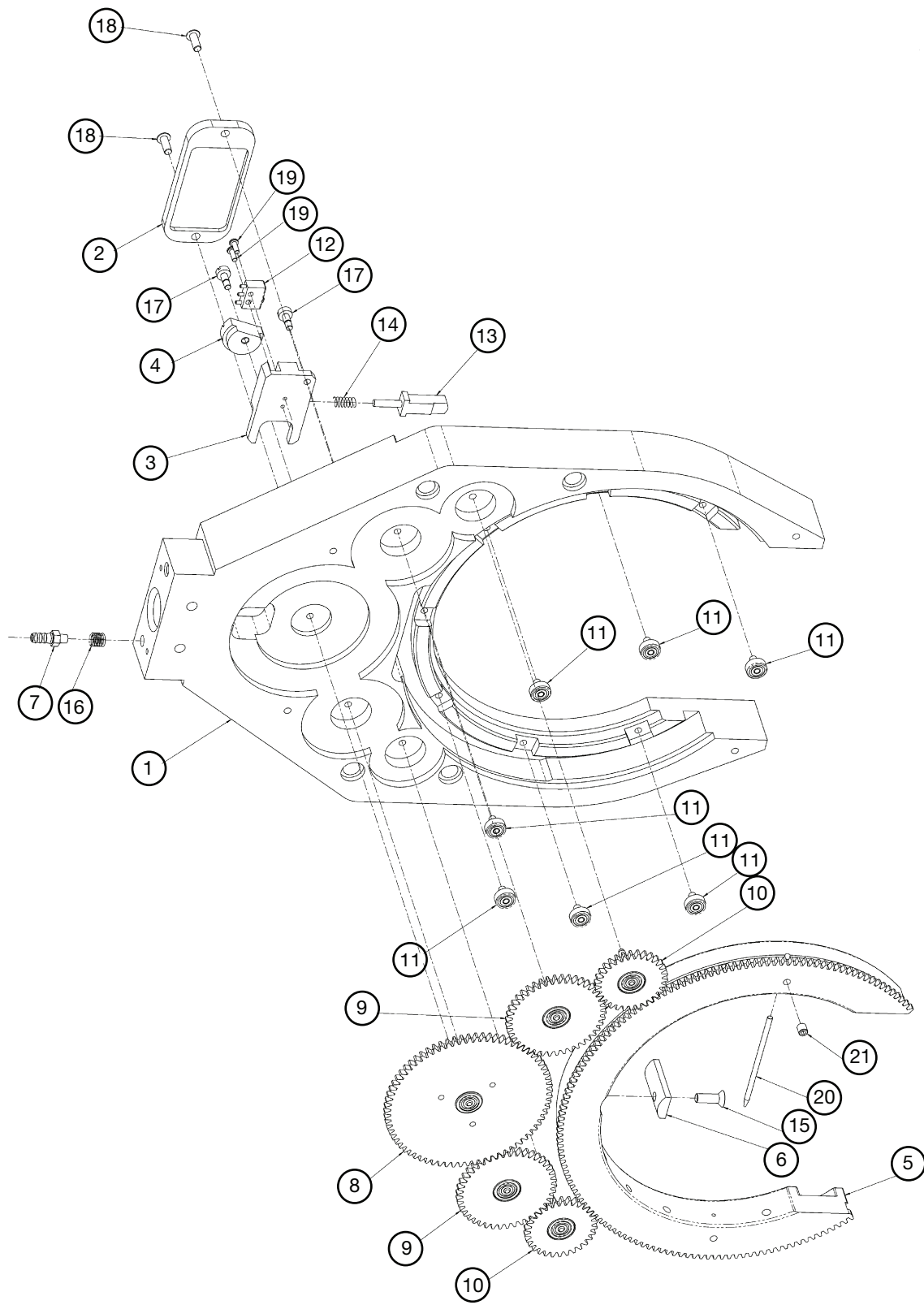


Figure 24 SWS-40H Gear Side

Table 5 SWS-40H Gear Side Assembly Parts List

Ref No.	Description	Ordering Number	Available in Kit No.	Minimum Order Quantity
1	Gear Side Housing Assembly	—	SWS-40H-D-GSA	1
2	Home Switch Cover	—	SWS-40H-HOM-SW-CVR	1
3	Actuator Mounting Plate	Note 1	Note 1	—
4	Actuator Switch Adjustment Cam	Note 1	Note 1	—
5	Rotor	SWS-40H-RTR	—	1
6	Actuator Tab	—	SWS-40H-ACT-TAB	1
7	Gas Bayonet	B-BN4-K62	—	1
8	Drive Gear Assembly	—	SWS-40H-DR-GR	1
9	Primary Gear Assembly	—	SWS-40H-PRM-DR-GR	1
10	Secondary Gear Assembly	—	SWS-40H-SCD-DR-GR	1
11	Rotor Bearing Assembly	—	SWS-40H-RTR-BRNG	1
12	Home Sensor Assembly	Note 1	Note 1	—
13	Home Sensor Actuator	—	SWS-40H-SENSOR-ACT	1
14	Actuator Spring	SS-CSC-180-016-500-SG		1
15	Flat Head Screw 8-32 x .500	188-SCFP-164-32-500	—	10
16	Helical Threaded Insert	Note 1	Note 1	—
17	Shoulder Screw 4-40 x .188	188-SHFS-1245-188-S	—	10
18	Button Head Cap Screw 6-32 x .380	188-SCBA-138-32-380	—	10
19	Machine Screw 2-56 x .380	NY-SCPS-086-56-380	—	10
20	2% Ceriated Tungsten Electrode	See Electrode Selection Section		
21	Socket Head Set Screw 8-32 x 0.188 Cup Point	188-SSAC-164-32-188	—	10

① Not available as a field replacement spare part.

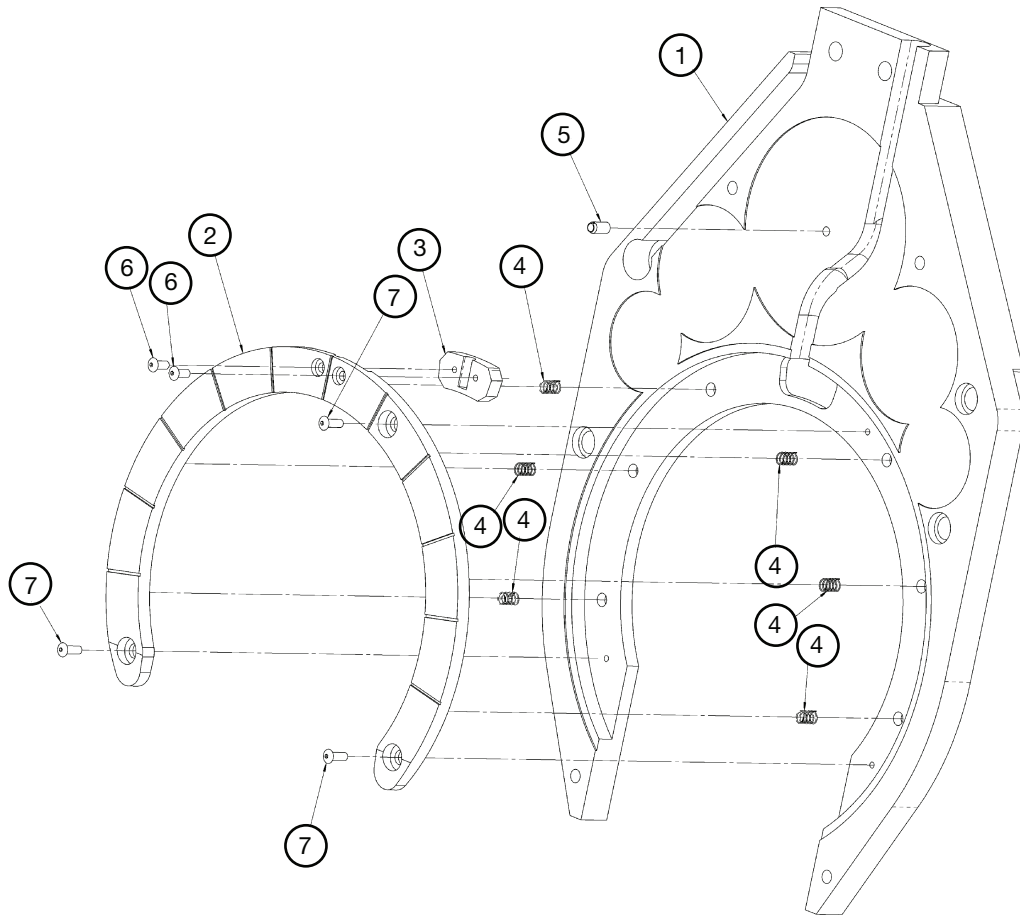


Figure 25 SWS-40H Housing – Brush Side Assembly

Table 6 SWS-40H Housing – Brush Side Assembly Parts List

Ref No.	Description	Ordering Number	Available in Kit No.	Minimum Order Quantity
1	Brush Side Housing Assembly	—	SWS-40H-D-BSA	1
2	Brush	See Note 1	See Note 1	—
3	Brush Clamp Plate	—	SWS-40H-BRSH-CLP-PLT	1
4	40H Brush Springs	See Note 1	See Note 1	—
5	Dowel Pin	See Note 1	See Note 1	—
6	Button Head Torx Socket Cap Screw 4-40 x .250	S-SCBT-112-40-250-BK	—	10
7	Button Head Cap Screw 4-40 x .312	188-SCBA-112-40-312	—	10

① Not available as a field replacement spare part.

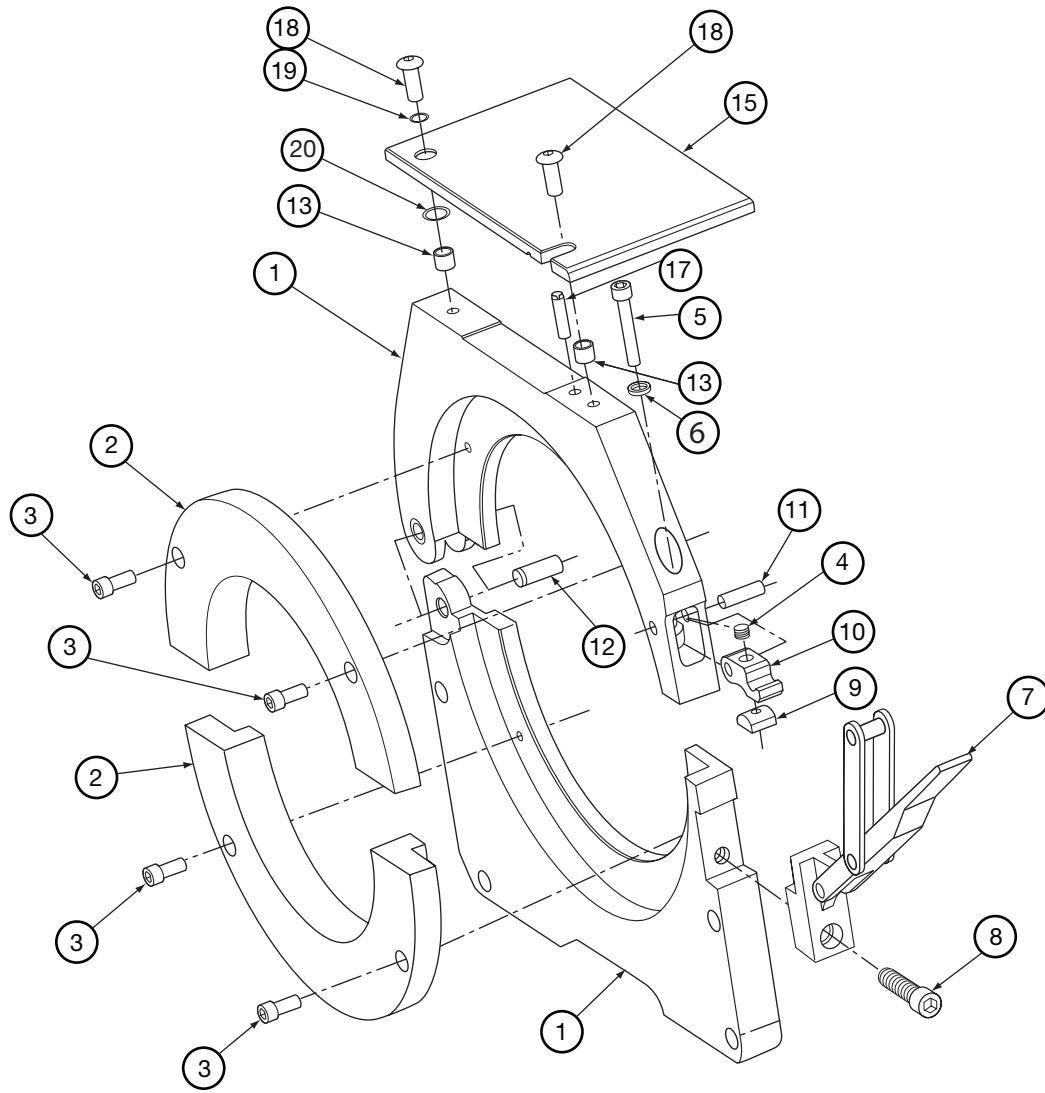


Figure 26 SWS-40H Fixture Side Plate Assembly - Left

Table 7 SWS-40H Fixture Side Plate Assembly – Left Parts List

Ref No.	Description	Ordering Number	Available in Kit No.	Minimum Order Quantity
1	Fixture Side Plate Assembly—Left	—	SWS-40FSP1L	1
2	40H Collets	See Collet Ordering Information		
3	Socket Head Cap Screw 8-32 × 0.382	188-SCSA-164-32-380	—	10
4	40H Latch Spring	SWS-40H-LATCH-SPNG	—	10
5	Socket Head Cap Screw 8-32 × 1.000	188-SCSA-164-32-1000	—	10
6	Lock Washer #8	188-WSLK-174-293-040	—	10
7	40H Latch Sub-Assembly	—	SWS-40H-LATCH	1
8	40H Latch Screw	188-SCSA-190-24-500	—	10
9	40H Latch Hook Cam	SWS-40H-LATCH-HK-CAM	—	1
10	40H Latch Hook	See Note 1	See Note 1	—
11	Dowel Pin	See Note 1	See Note 1	—
12	Dowel Pin	See Note 1	See Note 1	—
13	Standard Window Cover Sleeves	SS-SR-196-250-203	—	1
14	Weld Lens Window Sleeves ^②	SS-SR-196-250-100	—	1
15	Standard Window Cover	SWS-40H-WIN-CVR	—	1
16	Optional Weld Lens Window Cover ^②	—	SWS-WIN-WL-CVR	1
17	Hex Plunger 8-32 × 0.625	188-SPAR-164-32-625-NP	—	1
18	Button Head Cap Screw 10-32 × 0.500	188-SCBA-190-32-500	—	10
19	Window Cover Shim	188-WSFL-188-250-008	—	10
20	Wave Washer	188-WSWV-265-367-006	—	10

① Not available as a field replacement spare part.

② These parts are not shown in the drawing.

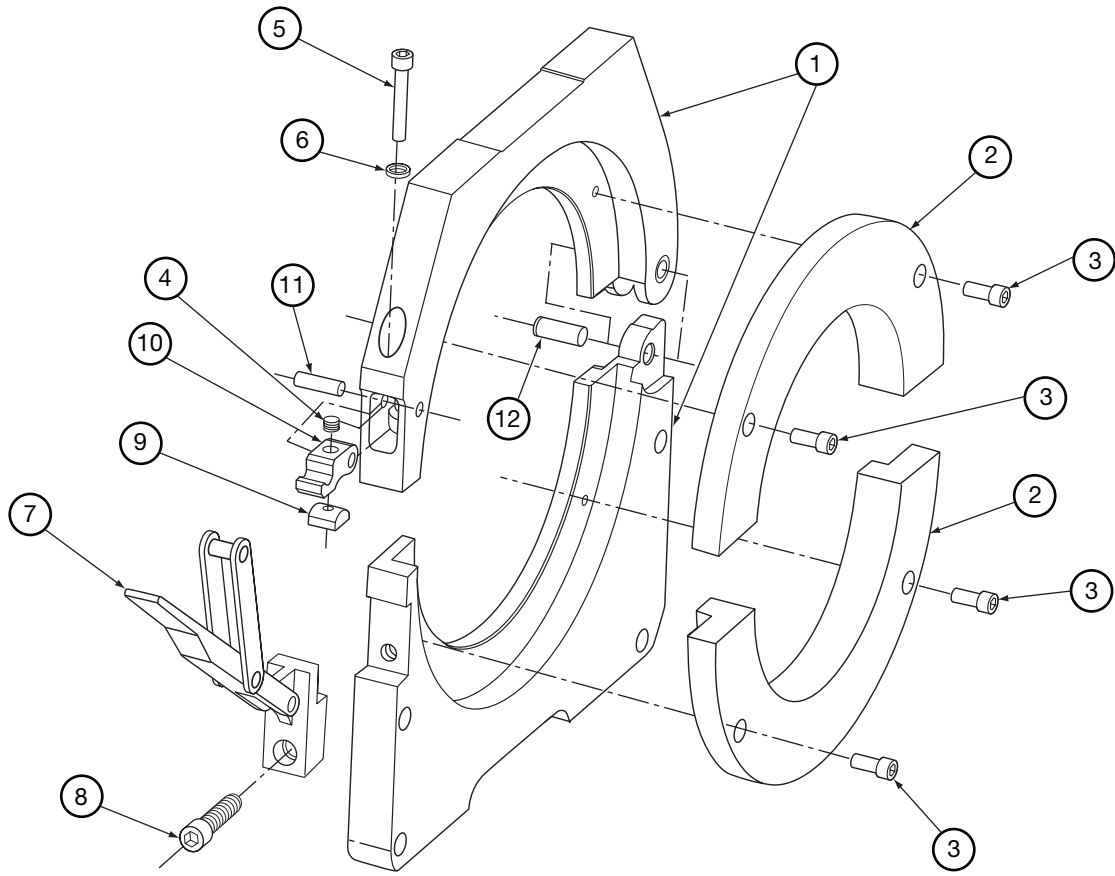


Figure 27 SWS-40H Fixture Side Plate Assembly - Right

Table 8 SWS-40H Fixture Side Plate Assembly – Right Parts List

Ref No.	Description	Ordering Number	Available in Kit No.	Minimum Order Quantity
1	Fixture Side Plate Assembly - Right	—	SWS-40FSP1R	1
2	40H Collets	See Collet Ordering Information		—
3	Socket Head Cap Screw 8-32 x 0.380	188-SCSA-164-32-380	—	10
4	40H Latch Spring	SWS-40H-LATCH-SPNG	—	10
5	Socket Head Cap Screw 8-32 x 1.000	188-SCSA-164-32-1000	—	10
6	Lock Washer #8	188-WSLK-174-293-040	—	10
7	40H Latch Sub-Assembly	—	SWS-40H-LATCH	1
8	40H Latch Screw	188-SCSA-190-24-500	—	10
9	40H Latch Hook Cam	SWS-40H-LATCH-HK-CAM	—	1
10	40H Latch Hook	See Note 1	See Note 1	—
11	Dowel Pin	See Note 1	See Note 1	—
12	Dowel Pin	See Note 1	See Note 1	—

① Not available as a field replacement spare part.

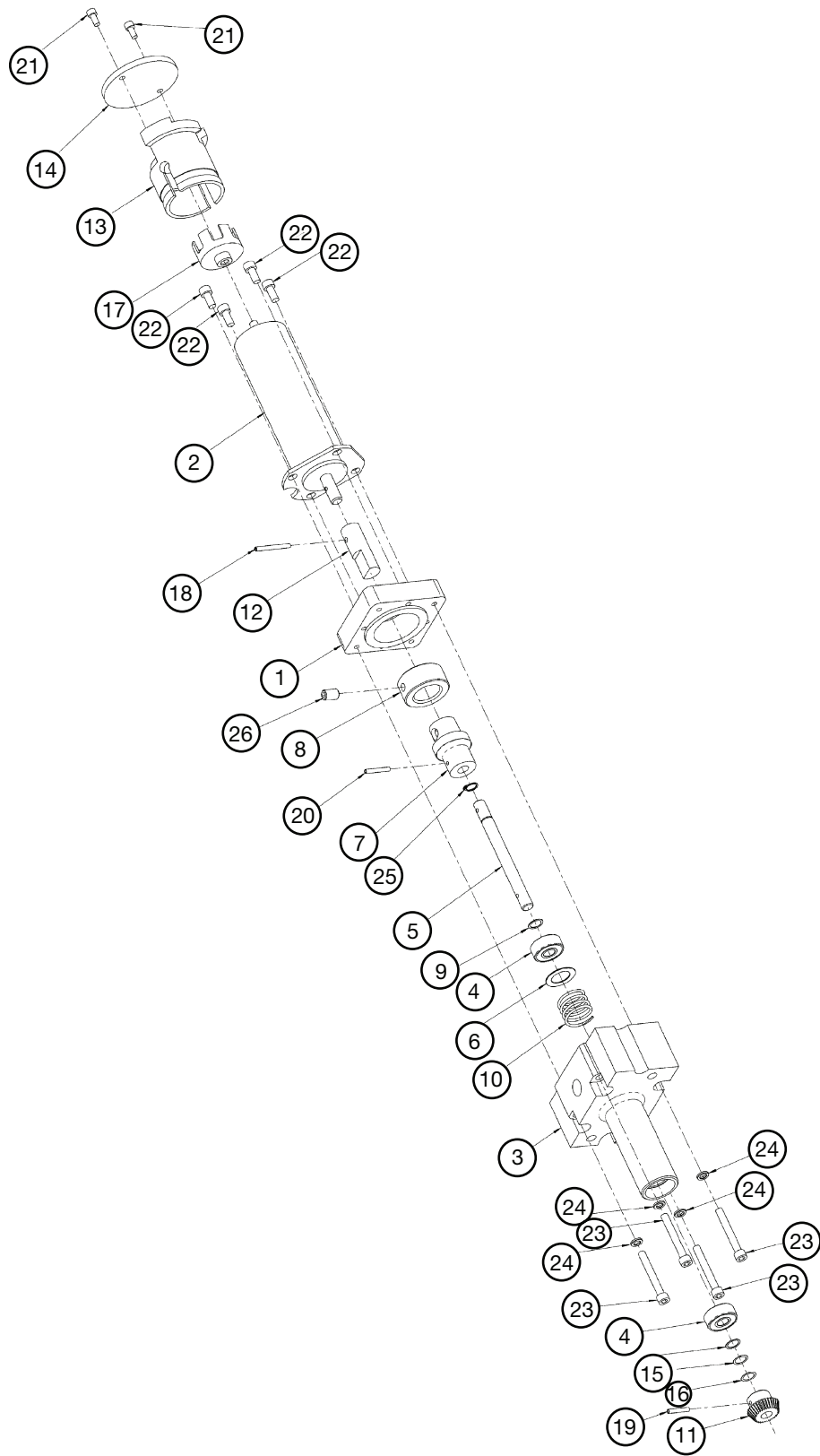


Figure 28 SWS-40H Motor Drive Assembly

Table 9 SWS-40H Motor Drive Assembly Parts List

Ref No.	Description	Available in Kit No.①
1	Motor Interface Mount	Note 2
2	Motor	Note 2
3	Drive Assembly Housing	Note 2
4	Drive Assembly Bearings	Note 2
5	Drive Shaft	Note 2
6	Pressure Spring Washer	Note 2
7	Drive Shaft Insulator Coupling	Note 2
8	Coupling Locking Sleeve	Note 2
9	Bearing Washer	Note 2
10	Pressure Spring	Note 2
11	Drive Pinion Gear	Note 2
12	Motor Shaft Adapter	Note 2
13	Encoder Sleeve	Note 2
14	Encoder Board Assembly	Note 2
15	Shim	Note 2
16	Shim	Note 2
17	Encoder Wheel	Note 2
18	Motor Drive Coupler Pin	Note 2
19	Pinion Coupler Pin	Note 2
20	Drive Shaft Coupler Pin	Note 2
21	Encoder Board Screws	Note 2
22	Motor Screws	Note 2
23	Motor Interface Screws	Note 2
24	Motor Interface Washers	Note 2
25	Drive Shaft Clip	Note 2
26	Coupling Sleeve Set Screw	Note 2

① For part ordering information, contact your Swagelok representative.

② Not available as a field replacement spare part.

Warranty Information

Swagelok products are backed by The Swagelok Limited Lifetime Warranty. For a copy, visit swagelok.com or contact your authorized Swagelok representative.

シリーズ 40 ウェルド・ヘッド



ユーザー・マニュアル

目次

ウェルド・ヘッド	35
ウェルド・ヘッド運送用ケースの開梱	36
ウェルド・ヘッドの取り付け	37
電極の選択	38
電極の取り付け	40
溶接物の準備	41
ウェルド・ヘッドの操作	42
毎日のメンテナンス	44
定期的なメンテナンス	45
仕様	50
構成部品の分解図	51

ウェルド・ヘッド

Swagelok ウェルディング・システム (SWS) シリーズ 40 ウェルド・ヘッドは、チューブ外径サイズ 1 1/2 インチから 4 インチまで、38.1 mm から 114.3 mm まで、パイプ・サイズ 1 1/4 インチから 4 インチまで、42.2 mm から 114.3 mm までの溶接を一貫して正確に行います。

ウェルド・ヘッド内の直流モーターによってローターが起動し、溶接接合部の周りでタングステン電極を回転させます。ウェルド・ヘッド内の光学回路はパワー・サプライに正確なフィードバックを送り、ローターのスピードを制御します。

ウェルド・ヘッド内の可動部品はすべて低摩擦装置に取り付けられているため、一貫してスムーズに作動します。

スプリング・ロード式フローティング・ブラシは、常にローター円周のほぼ 3 分の 2 に接触しています。このため、ローターおよび電極への電気伝導性が常に一定となります。

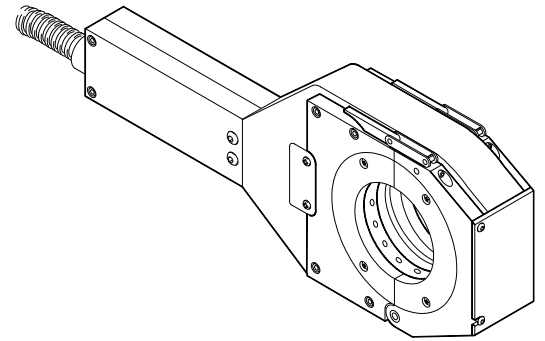


図 1：シリーズ 40 ウェルド・ヘッド

ウェルド・ヘッド運送用ケースの開梱

ウェルド・ヘッド・アセンブリーおよび工具セットは、クッション材を施した運送用ケースに収納されています。Swagelok シリーズ 40 ウェルド・ヘッド入荷の際は、以下の点についてご確認ください。

1. 運送用ケースに損傷がないか検査します。
2. 運送用ケースから部品を取り出します。
3. 部品に損傷がないか点検します。
4. ウェルド・ヘッドのシリアル・ナンバーと、運送用ケースに記載のシリアル・ナンバーが一致していることを確認します。
5. 型式番号、シリアル・ナンバー、納入日を「登録インフォメーション・フォーム」に記入します（フォームはパワー・サプライ・ユーザー・マニュアルに入っています）。

ウェルド・ヘッドの取り付け

ウェルド・ヘッド・アセンブリーには、パワー・サプライに接続するコネクタが4つあります。図2をご参照ください。

ケーブルには、以下の4つのコネクタがあります。

- ウェルド・ヘッド
- 電極 (赤色)
- ワーク (緑色)
- ウェルド・ヘッド・シールド・ガス

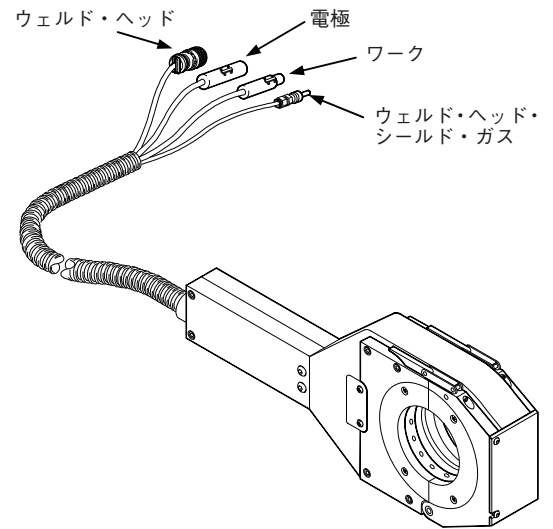


図2：ウェルド・ヘッド・アセンブリー

以下の手順に従って、パワー・サプライの側面パネルに、4つのコネクタを接続してください(図3参照)。

1. ウェルド・ヘッド・ケーブル・アセンブリーを設置します。
2. 1/4 回転コネクタの溝を、側面パネルの「WELD HEAD(ウェルド・ヘッド)」と表示されたソケットの小さなタブに合わせます。コネクタをソケットに差し込みます。コネクタ固定用スリーブを時計回りに手でまわして締め付けます。この接続により、ウェルド・ヘッドを動かすのに必要な制御信号が伝わります。
3. 赤色のコネクタを、側面パネルの「ELECTRODE (電極)」と表示されたソケットに完全に底に当たるまで差し込みます。コネクタを時計回りに1/4 回転まわして固定します。この接続が、ウェルド・ヘッドの負(−)のターミナルです。
4. 緑色のコネクタを、側面パネルの「WORK (ワーク)」と表示されたソケットに差し込みます。コネクタを時計回りに1/4 回転まわして固定します。この接続が、ウェルド・ヘッドの正(+)のターミナルです。
5. ウェルド・ヘッド・シールド・ガス用コネクタを、「TOWELD HEAD (ウェルド・ヘッドへ)」と表示された Swagelok クイック・コネクト・システムに差し込みます。コネクタがしっかりと装着されていることを確認してください。この接続により、パワー・サプライ内のマス・フロー・コントローラーを経由して、シールド・ガスがウェルド・ヘッドに供給されます。

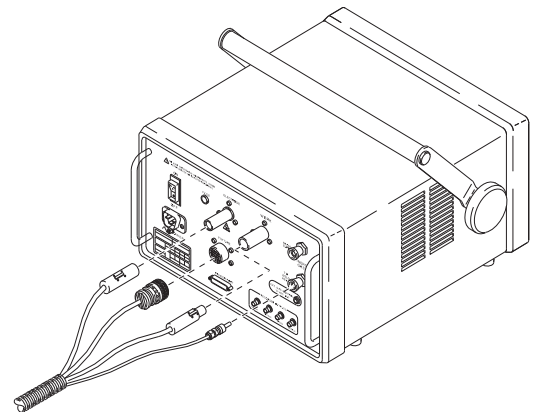


図3：ウェルド・ヘッド・コネクタ



注意!

ウェルド・ヘッド・コネクタが適合するソケットに完全に底に当たるまで差し込まれ、スリーブが締め付けられていることをご確認ください。

注：

ウェルド・ヘッド・シールド・ガス用コネクタには必ず、シングル・エンド・シャット・オフ (SESO) 型 Swagelok クイック・コネクト・システム (型番：SS-QC4-S-400) をご使用ください。

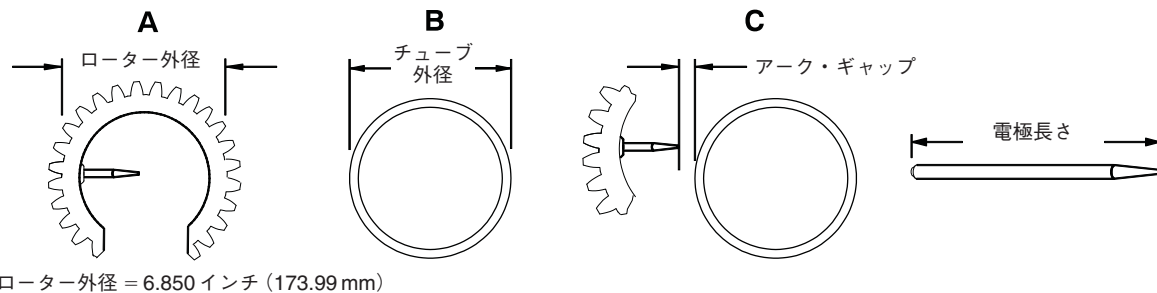
電極の選択

電極の長さおよび直径は、使用するアーク・ギャップおよび溶接物の外径サイズによって決まります。タングステン電極長さ計算式を参照して、正しい電極を選んでください。正しい長さの算出後、電極選択表から電極を選択するか、または特注します。

タングステン電極長さの算出

特定のアーク・ギャップ用のタングステン電極長さを算出する際は、以下の計算式を使用します。

$$(\text{ローター外径} \div 2) - (\text{チューブ外径} \div 2) - \text{アーク・ギャップ} = \text{電極長さ}$$



ローター外径 = 6.850 インチ (173.99 mm)

図 4：電極長さの算出パラメーター

例 1：(1.5 インチ・サイズ - 1.5 インチ・サイズ・チューブ突き合わせ溶接)

ローター外径 A = 6.850 インチ

チューブ外径 B = 1.500 インチ

使用するアーク・ギャップ C = 0.060 インチ

$$(6.850 \div 2) - (1.500 \div 2) - 0.060 \text{ インチ} = 2.615 \text{ インチ}$$

例 2：(38.1 mm - 38.1 mm チューブ突き合わせ溶接)

ローター外径 A = 173.99 mm

チューブ外径 B = 38.10 mm

使用するアーク・ギャップ C = 1.52 mm

$$(173.99 \div 2) - (38.10 \div 2) - 1.52 \text{ mm} = 66.425 \text{ mm}$$

表1：0.060 インチ・サイズ・アーク・ギャップ用電極選定表

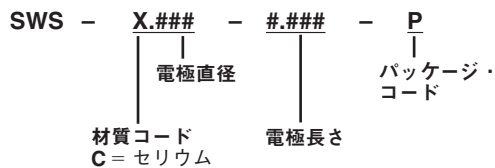
電極型番	溶接物外径サイズ	電極長さ (L)	電極直径 (D)
SWS-C.094-2.615-P	1.5 インチ	2.615 インチ (66.40 mm)	0.094 インチ (2.39 mm)
SWS-C.094-2.365-P	2.0 インチ	2.365 インチ (60.07 mm)	0.094 インチ (2.39 mm)
SWS-C.094-2.115-P	2.5 インチ	2.115 インチ (53.72 mm)	0.094 インチ (2.39 mm)
SWS-C.094-1.865-P	3.0 インチ	1.865 インチ (47.37 mm)	0.094 インチ (2.39 mm)
SWS-C.094-1.615-P	3.5 インチ	1.615 インチ (41.02 mm)	0.094 インチ (2.39 mm)
SWS-C.094-1.365-P	4.0 インチ	1.365 インチ (34.67 mm)	0.094 インチ (2.39 mm)
SWS-C.094-1.105-P	4.5 インチ	1.105 インチ (28.07 mm)	0.094 インチ (2.39 mm)

注：自動生成プログラムによる長さは正確です。0.005 インチ以内であれば、長さを変えることもできます。

電極の形状

この図は、スウェージロックが推奨する電極の形状を示しています。適切に研削された電極を使用すると、精度の高い溶接を繰り返し行うことができます。あらかじめ研削した電極につきましては、スウェージロック指定販売会社までお問い合わせください。ご注文に関する詳細につきましては、製品カタログ『Swagelok 円周溶接機（オービタル・ウェルディング・システム）シリーズ40』（MS-02-140）をご参照ください。

電極型番は、以下のような構成となっています。



セリウムを含有した電極の材質タイプは、タングステンを98%とセリウムを2%含有した混合物で、一般に「2%セリウム」と呼ばれます。このタイプの電極は、特に清浄シールド・ガスを使用する場合に、トリウム含有率が2%の材質タイプよりも優れたアーク発生性能を示します。

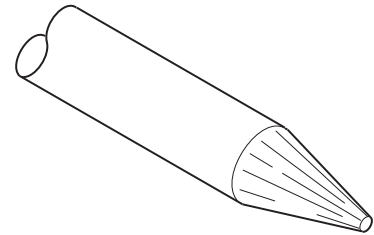


図5：タングステン電極

電極の取り付け

1. ウェルド・ヘッドを開いた状態で、タングステン電極が図6の位置に来るまで本体スイッチ・パネルの「ジョグ」または「電極交換」を押します。
2. 電極止めネジを緩めます。電極を交換する場合は取り外します。
3. 未使用の電極をローターの外側の縁と同じ面の高さになるまで差し込みます。
4. 電極止めネジを締め付けて電極を固定します。
5. 本体スイッチ・パネルの「ホーム」または「電極交換」を押して、ローターをホーム・ポジションに戻します。

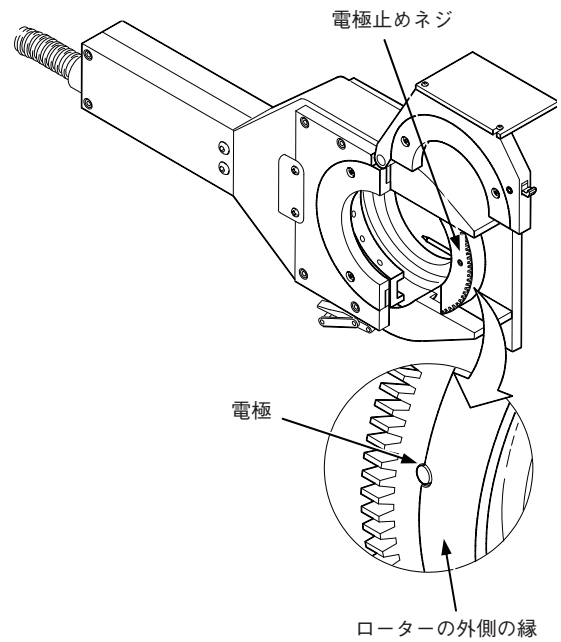


図6：電極を取り付ける



注意！

電極を所定の位置に固定するまでは、ローターを回転あるいは動かさないでください。



注意！

「ジョグ」または「電極交換」を押すと、ローターが移動します。ローターに指を挟まないようにご注意ください。

溶接物の準備

溶接前に、適切にチューブを準備することが重要です。図7をご参照ください。

再現性のある高品質な自生融解溶接を確実に行うためには、チューブは厳密に直角かつバリのないものでなければなりません。チューブを切断する場合は、金のこあるいはチューブ・カッターを使用してください。チューブの端面は、旋盤あるいはポータブルなフェーシング・ツールを用いて処理してください。チューブ端面のバリ取りを行い、チューブの内径および外径の両方が厳密に直角かつバリのないことをご確認ください。適切な溶剤を用いてチューブ端面のクリーニングを行ってください。

以下のガイドラインに従うことで、高品質の溶接を行うことができます。

- チューブ端面は必ず厳密な直角にしてください。
- チューブ端面は、公称肉厚との公差が $\pm 15\%$ を超えないようにしてください。
- チューブ端面のバリは必ず取ってください。
- チューブ端面に付着している不純物（さび、グリース、オイル、塗料など）を除去してください。

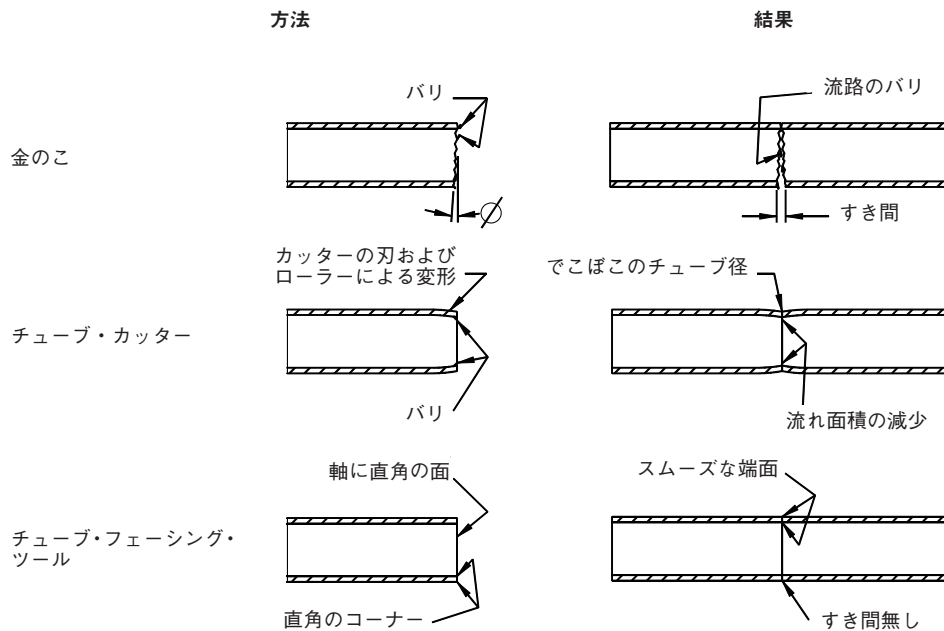


図7：チューブを準備する

ウェルド・ヘッドの操作

ウェルド・ヘッドを操作する際は、以下のパラメーターを使用してください。

シリーズ 40

シールド・ガス流量 (std L/min)	14 ~ 23 ①
最小プリバースおよび ポストバース時間 (秒)	45 ②
最大推奨平均電流値	100 A ③

① 溶接電流が高い時は、流量を高めを設定してください。

② 高電流率で溶接する際は、連続的に流して冷却してください。

③ ビュー・ポート (確認ポート) に溶接レンズ (オプション) を使用する場合、最大で 120 A (使用率 50%) となります。

コレットの取り付け

1. 溶接するチューブの外径サイズに適したコレットを選択します。
2. ウェルド・ヘッドの両側にコレットを固定している 4 本のねじを取り外します。
3. 選択したコレットを取り付けます。
4. ねじを再度取り付けます。

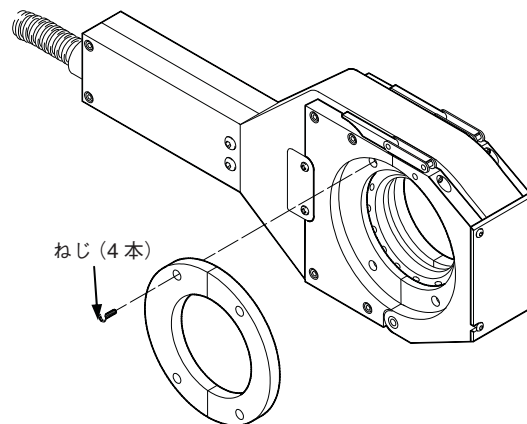


図 8：コレットを取り付ける

溶接物のアライメント (位置合わせ)

1. ウィンドウ・カバーを開きます。
2. サイド・プレートを 1 つ開きます。
3. タングステン電極の位置に合わせて最初の溶接物を差し込みます。
4. サイド・プレートを閉じ、ラッチで止めます。
5. もう 1 つのサイド・プレートを開きます。
6. 次の溶接物を差し込み、溶接エンドを突き合わせます。
7. サイド・プレートを閉じ、ラッチで止めます。
8. アライメント (位置合わせ) を検査するため、ウィンドウ・カバーから覗き込んで、2 つの溶接物の芯がタングステン電極と合っていることを確認します。

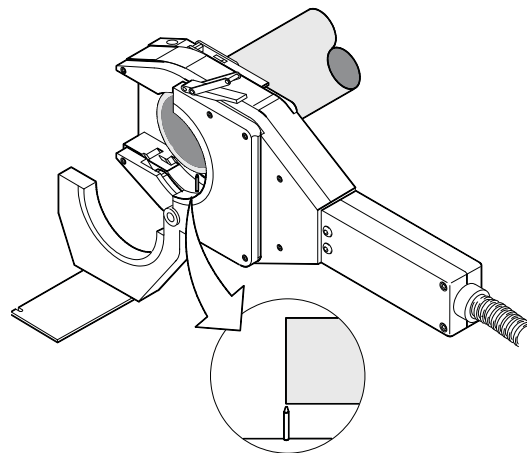


図 9：溶接物と電極のアライメント(位置合わせ)を行う

ラッチの調整

1. ラッチがチューブを確実に固定するようにラッチ調整ネジを調節します。

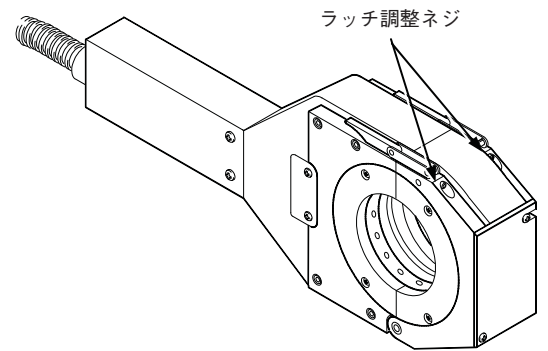


図 10：ラッチを調整する

ウェルド・ヘッドの取り付け

1. 取り付け用ブラケットをベンチにボルト止めします。
2. 取り付け用ブラケットの開口部に電源コードをねじ込み、ウェルド・ヘッドを図 11 の位置にセットします。

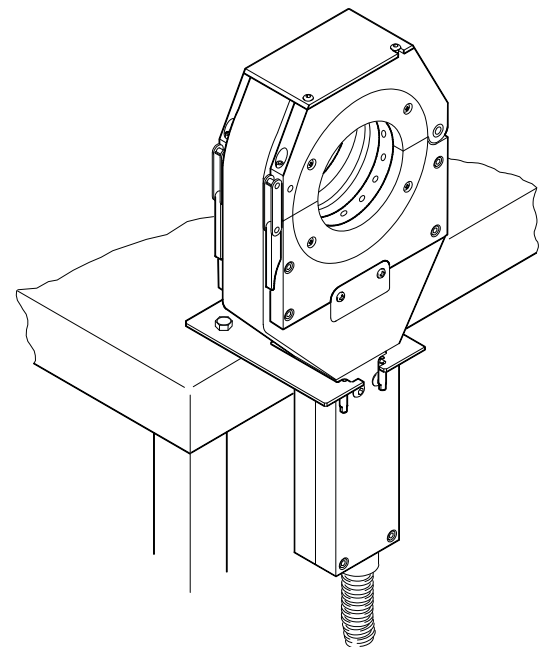


図 11：ウェルド・ヘッドを取り付ける

注：ウェルド・ヘッドは図の位置に取り付けるか、または 90° まわして取り付けることができます。

毎日のメンテナンス

Swagelok ウェルディング・システム (SWS) 装置が常に正常に機能するように、システム部品の定期的なメンテナンスを行ってください。

ウェルド・ヘッドを清潔で乾燥した場所に保管します。

毎日の作業開始時に、清潔な柔らかい布およびイソプロピル・アルコールなどの溶剤を使用して、ウェルド・ヘッド・ローター部分から汚れ、カーボン、付着物を取り除きます。

注：本セクションの手順を行っている際に問題が生じた場合は、パワー・サプライ・ユーザー・マニュアルの「トラブルシューティング」の項を参照するか、スウェーヂロック指定販売会社までお問い合わせください。

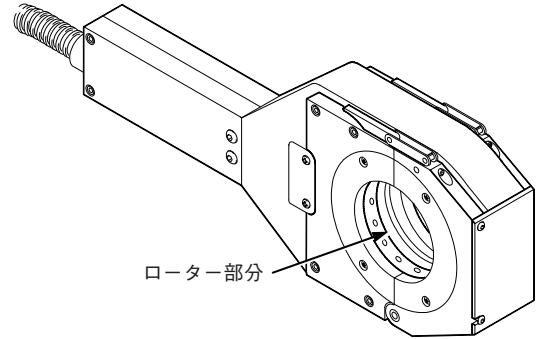


図 12：ウェルド・ヘッドの露出面を検査する

定期的なメンテナンス

本セクションでは、溶接を 400 ～ 500 回行う毎に必要なウェルド・ヘッドのメンテナンス手順について説明します。

メンテナンス作業中に欠陥が見つかった部品は、必ず交換してください。部品の詳細図および各部品をご注文の際は、本マニュアルの最後の「構成部品の分解図」の項をご参照ください。ユーザーよりの現場交換用の予備品はスウェージロック指定販売会社からご購入いただけます。

1. サイド・プレートが溶接物を適切に固定していることを確認します。
 - a. コレットをサイド・プレートの片側に取り付けます。
 - b. コレットと同じサイズのチューブを差し込み、レバー・カムを使用してサイド・プレートを閉じます。
 - c. チューブがコレットの中でまわらないことを確認します。
 - d. チューブがコレットの中でスライドしないことを確認します。
 - e. チューブがコレットの中で上下左右に動かないことを確認します。
 - f. もう一方のサイド・プレートについても、同じ手順で溶接物が正しく固定されていることを確認します。
 - g. 修理が必要なサイド・プレートの返送先につきましては、スウェージロック指定販売会社までお問い合わせください。

警告！

メンテナンスを行う場合は、必ず事前にワーク・ケーブルおよび電極ケーブルをパワー・サプライから取り外してください。



注意！

潤滑油はウェルド・ヘッド内部に使用しないでください。

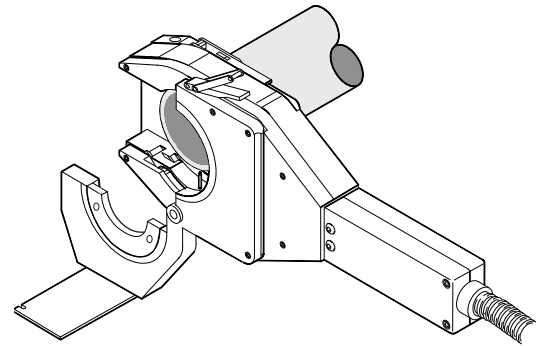


図 13：溶接物が固定されていることを確認する

ウェルド・ヘッドのクリーニング／検査

本セクションでは、ウェルド・ヘッドおよびローターの分解方法について説明します。

ウェルド・ヘッド

以下の手順に従って、ウェルド・ヘッドを分解してください。

1. クリーンで低圧の空気を吹きつけて、ウェルド・ヘッド・アセンブリーからすべてのゴミを取り除きます。
2. 左のサイド・プレートの4本のネジを取り外します。図14をご参照ください。
3. マイナス・ドライバーを使用して左のサイド・プレートをウェルド・ヘッド・ハウジングから均一にこじ上げます。その際、ねじ込みアライメント・スタッドの端を傷つけないよう注意してください。
4. 長いモーター・カバー・ネジとモーター・カバー・エンド・スクリューを取り外します。図15をご参照ください。

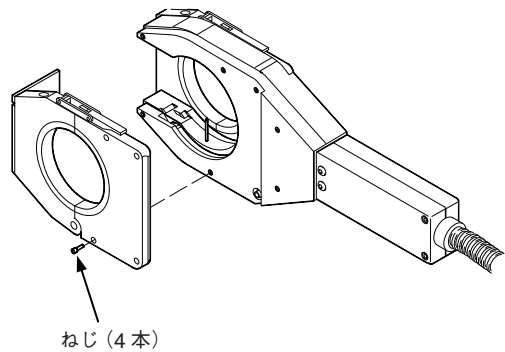


図14：左サイド・プレートを取り外す

注：ウェルド・ヘッドからねじを取り外す際は、再組み立て時に元の穴に戻ることができるように整理してください。

5. 4本のウェルド・ヘッド・ハウジング・ネジをハウジングから取り外します。マイナス・ドライバーを使用してブラシ側とギア側を慎重に取り外します。図16をご参照ください。
6. アース・ピン絶縁材やフィクスチャー・ピン絶縁材などの内部部品が損傷しないよう注意しながら、ウェルド・ヘッド・ハウジングを取り外します。図16をご参照ください。

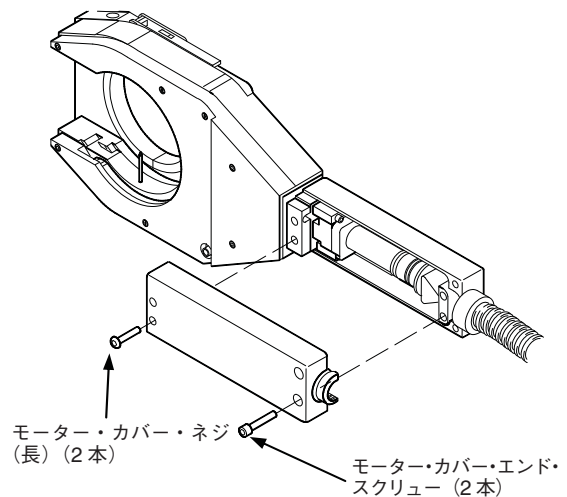


図15：モーター・カバーを取り外す

ウェルド・ヘッド・ハウジング・ネジ (4本)

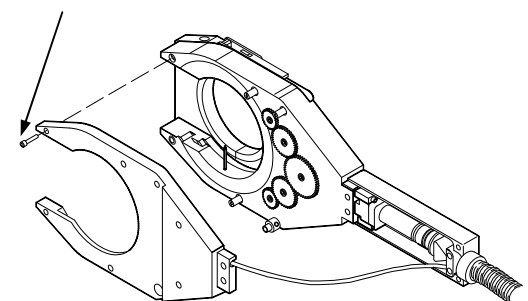


図16：ウェルド・ヘッド・ハウジングを分解する

ブラシ

1. ブラシ・ネジ3本とクランプ・プレート・ネジ2本を取り外します。
2. ハウジング・アセンブリーのブラシ側からブラシを取り外します。
図17をご参照ください。
3. 以下の手順に従って、ブラシの検査およびクリーニングを行ってください。
 - ブラシに過度の摩耗がないか点検します。交換が必要な場合は、スウェジロック指定販売会社までお問い合わせください。
 - ナイロン研磨パッドを使用して、ブラシ表面およびブラシ・クランプ・プレートから酸化物を取り除きます。
 - ブラシをひっくり返し、ナイロン研磨パッドを使用して、ブラシ・クランプ・プレートと接触する部分から酸化物を取り除きます。
 - イソプロピル・アルコールと柔らかいパッドを使用して、研磨パッドから残留物を取り除きます。
 - イソプロピル・アルコールと柔らかいパッドを使用して、ブラシ溝から残留物を取り除きます。
4. ブラシを取り付けます。その際、スプリングがブラシ・ハウジングに完全に収まっていることを確認します。
5. 2本の短いネジをブラシ・クランプ・プレートにねじ込みます。
6. 3本の長いネジをブラシ・ハウジングにねじ込みます。

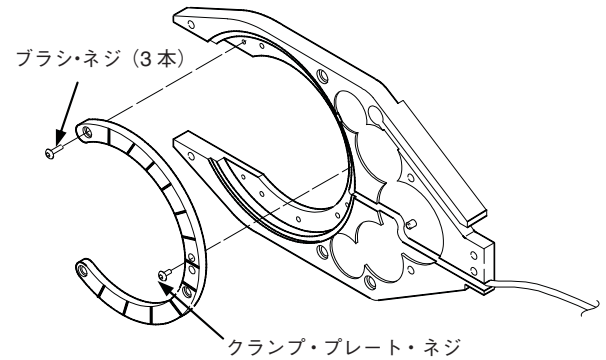


図17：ブラシを取り外す

注： ブラシ・クランプ・プレートは2本のトルクス・プラス IP-8 ネジで取り付けられています。取り外す際は、トルクス・プラス T8 レンチを使用します。



注意！
ヘッドやネジ山をむき出しにしないように注意してください。

注： ブラシを正しく取り付けなかった場合、スプリング作用が生じません。

ローター

1. ギアの摩耗を検査し、損傷している場合は、54 ページのギア側アセンブリー図を参照して交換します。
2. ハウジング・アセンブリーのギア側からローターを取り外します。図 18 をご参照ください。
3. 清潔で乾燥した面にローターを置きます。
4. ローター・ベアリング・アセンブリーに磨耗や損傷が生じていないか検査します。交換が必要な場合は、スウェージロック指定販売会社までお問い合わせください。
5. ローター・ベアリング・アセンブリーが汚れている場合は、イソプロピル・アルコールを使用してクリーニングを行います。
6. ローターに汚れや付着物がないか検査します。ナイロン研磨パッドを使用して、汚れや付着物を取り除きます。
7. イソプロピル・アルコールと柔らかいパッドを使用して、ローター・トラックから残留物を取り除きます。
8. アクチュエーター・タブを取り外します。タブが過度に摩耗していないか検査します。必要であれば、交換します。
9. ナイロン研磨パッドを使用して、アクチュエーター・タブから汚れや付着物を取り除きます。
10. イソプロピル・アルコールと柔らかいパッドを使用して、アクチュエーター・タブから研磨パッドから残留物を取り除きます。
11. アクチュエーター・タブを再度取り付けます。
12. 芯が合っていることを確認しながら、ローターをローター・トラックに取り付けます。

ウェルド・ヘッドの再組み立て

1. ブラシ側のアセンブリーをギア側のアセンブリーに再度取り付けます。
2. ケーブル・カバーが応力緩和装置に収まっていることを確認しながら、左側のモーター・カバーを元に戻します。
3. 左のサイド・プレートを元に戻します。

注： ギア交換が必要な場合は、ローターを取り付ける前に行ってください。

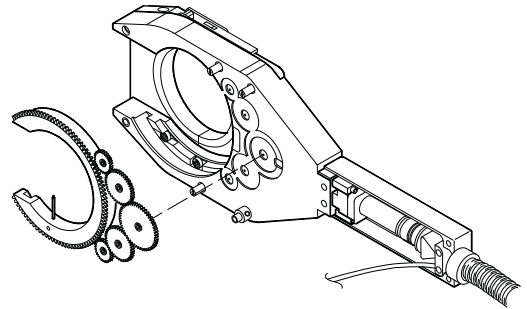


図 18：ローターを取り外す

注： サイド・プレート・ネジがアライメント・スタッドにねじ込まれ、閉め付けなくても一緒に回転する場合は、六角レンチをアライメント・スタッドに差し込んで固定しながら、サイド・プレート・ネジを締め付けます。

ホーム・センサーの調節

ホーム・センサー・アセンブリーが正常に動作するかテストする際は、パワー・サプライの「ホーム」を押します。

ローターが回転し続ける場合は、ホーム・センサー・アクチュエーターを調節するか、または交換してください。

1. アクチュエーター・カバーを取り外します。図 19 をご参照ください。
2. アクチュエーター・プレート・ネジを少し緩めます。
3. ローターがホーム・ポジションに戻るまで、ホーム・アクチュエーター・スイッチ調節カムを時計方向にゆっくり回します。
4. ホーム・アクチュエーター・スイッチ調節カムをさらに 5° 回します。
5. アクチュエーター・プレート・ネジを締め付けます。
6. パワー・サプライの「ホーム」を押して調節を確認します。
7. アクチュエーター・カバーを取り付けます。

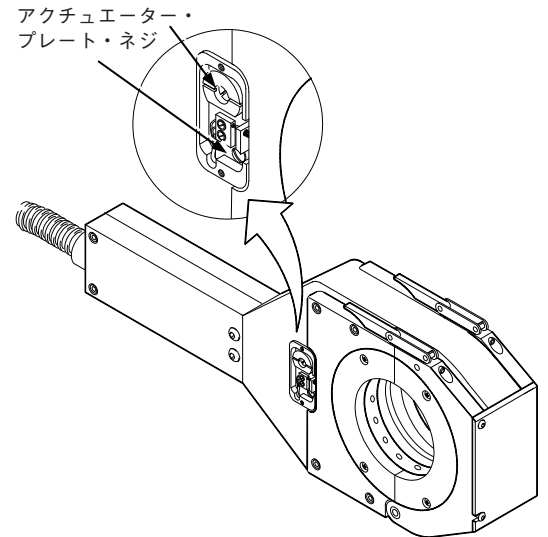


図 19：ホーム・センサーを調節する



注意！

カムを調節し過ぎると、過剰圧力によりホーム・センサーの寿命が早まります。作動した時にホーム・センサーが「カチッ」と鳴るところまでカムを調節します。

アクチュエーターの交換

ホーム・センサー・アセンブリーを調節しても作動しない場合は、アクチュエーターを交換してください。

1. 右のサイド・プレートを取り外します。図 20 をご参照ください。
2. ホーム・センサー・アクチュエーターを取り外して交換します。
3. 「ホーム・センサーの調節」の項の手順 1～7 を繰り返します。
4. 右のサイド・プレートを再度取り付けます。

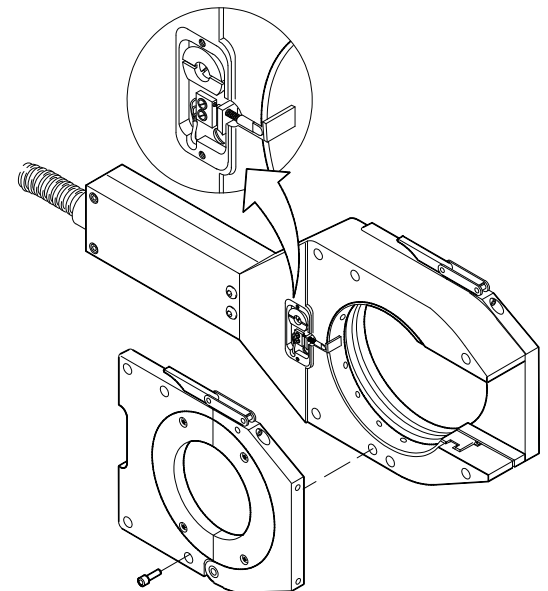


図 20：アクチュエーターを取り付ける

仕様

部品	寸法		質量
ウェルド・ヘッド	長さ	48.8 cm	6.49 kg
	幅	20.3 cm	
	厚さ	7.1 cm	
電源コード	長さ	457.2 cm	2.04 kg
		1066 cm	4.66 kg
		1524 cm	6.58 kg
コレット	チューブ外径	2.0 インチ・セット (5.08 cm)	3.44 kg
		3.0 インチ・セット (7.62 cm)	2.83 kg
		4.0 インチ・セット (10.16 cm)	1.99 kg
ケース	長さ	59.1 cm	5.9 kg
	幅	52.7 cm	
	厚さ	22.86 cm	

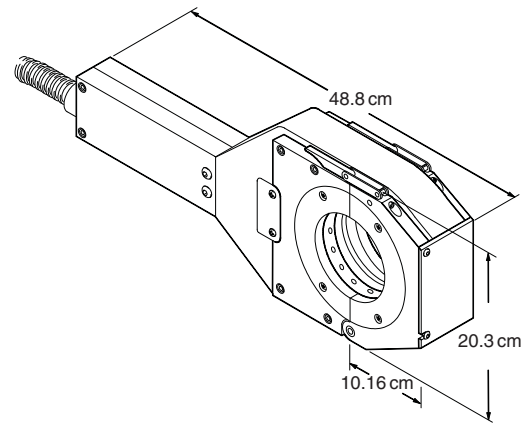


図 21：仕様

パラメーター	仕様
最高ローター・スピード	最高 2.5 r/min
必要直管距離	電極の中心まで 35.56 mm

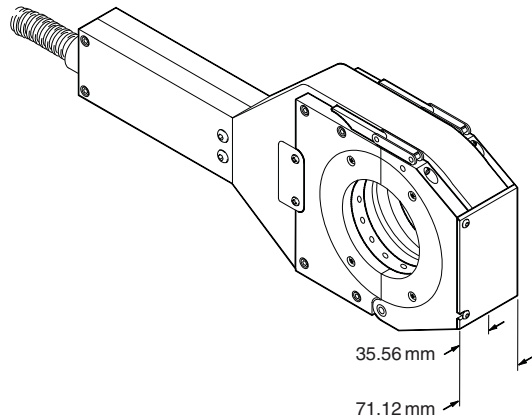


図 22：必要直管距離

構成部品の分解図

本セクションでは、分解図および関連部品のリストを記載しています。分解図を参照することで、部品名を容易に確認することができます。各部品のご注文につきましては、スウェージロック指定販売会社までお問い合わせください。

本セクションでは、以下の製品の部品を記載しています。

- SWS-40H ウェルド・ヘッド・アセンブリー
- SWS-40H ギア側アセンブリー
- SWS-40H ブラシ側アセンブリー
- SWS-40H サイド・プレート・アセンブリー (左)
- SWS-40H サイド・プレート・アセンブリー (右)
- SWS-40H モーター・ドライブ・アセンブリー

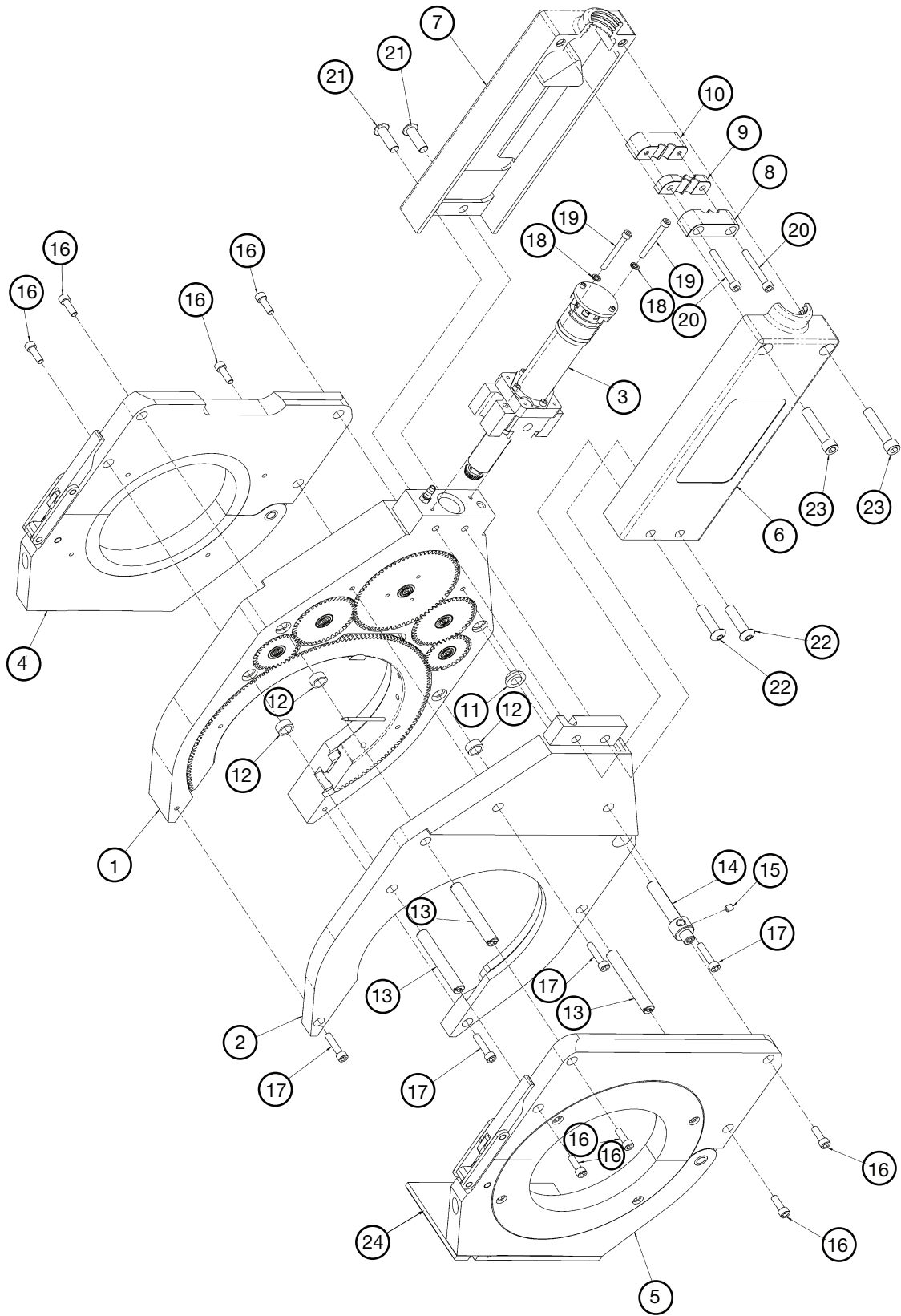


図 23 : SWS-40H ウェルド・ヘッド

表4：SWS-40H ウェルド・ヘッド構成部品リスト

参照番号	名称	型番	キット番号	最小注文数量
1	ハウジング・アセンブリー (ギア側)	—	SWS-40H-D-GSA	1
2	ハウジング・アセンブリー (ブラシ側)	—	SWS-40H-D-BSA	1
3	モーター・ドライブ・アセンブリー	①	①	—
4	サイド・プレート・アセンブリー (右)	—	SWS-40FSP1R	1
5	サイド・プレート・アセンブリー (左)	—	SWS-40FSP1L	1
6	モーター・カバー (左)	—	SWS-40H-MTR-CVR-LT	1
7	モーター・カバー (右)	—	SWS-40H-MTR-CVR-RT ^②	1
8	コード張力緩和プレート (左)	—	SWS-40H-STRN-RF	1
9	コード張力緩和プレート (中央)	—		
10	コード張力緩和プレート (右)	—		
11	アース・ピン絶縁体	SWS-40H-GND-PIN-INSUL	—	1
12	フィクスチャー・ピン絶縁体	SWS-40H-FXT-PIN-INSUL	—	1
13	フィクスチャー・ピン	SWS-40H-FXT-PIN	—	1
14	アース・ピン	—	SWS-40H-GND-PIN	1
15	ソケット・ヘッド止めネジ (8-32×0.188 カップ・ポイント)	188-SSAC-164-32-188	—	10
16	ソケット・ヘッド・キャップ・ネジ (8-32×0.500)	188-SCSA-164-32-500	—	10
17	ソケット・ヘッド・キャップ・ネジ (8-32×0.750)	188-SCSA-164-32-750	—	10
18	モーター・ドライブ・アセンブリー 取り付け用ねじロック・ワッシャー	①	①	—
19	モーター・ドライブ・アセンブリー 取り付け用ねじ	①	①	—
20	ソケット・ヘッド・キャップ・ネジ (8-32×1.250)	188-SCSA-164-32-1250	—	10
21	ボタン・ヘッド・キャップ・ネジ (¼-20×0.750)	188-SCBA-250-20-750	—	10
22	ボタン・ヘッド・キャップ・ネジ (¼-20×1.000)	188-SCBA-250-20-1000	—	10
23	ソケット・ヘッド・キャップ・ネジ (¼-20×1.250)	188-SCSA-250-20-1250	—	10
24	ウィンドウ・カバー (標準)	SWS-40H-WIN-CVR	—	1
25	溶接レンズ・ウィンドウ・カバー (オプション) ^③	—	SWS-WIN-WL-CVR	1

① ユーザーよりの現場交換用の予備品としてはご注文いただけません。

② 予備品をご注文の際は、型式番号およびシリアル・ナンバーをお知らせください。

③ 図示されていません。

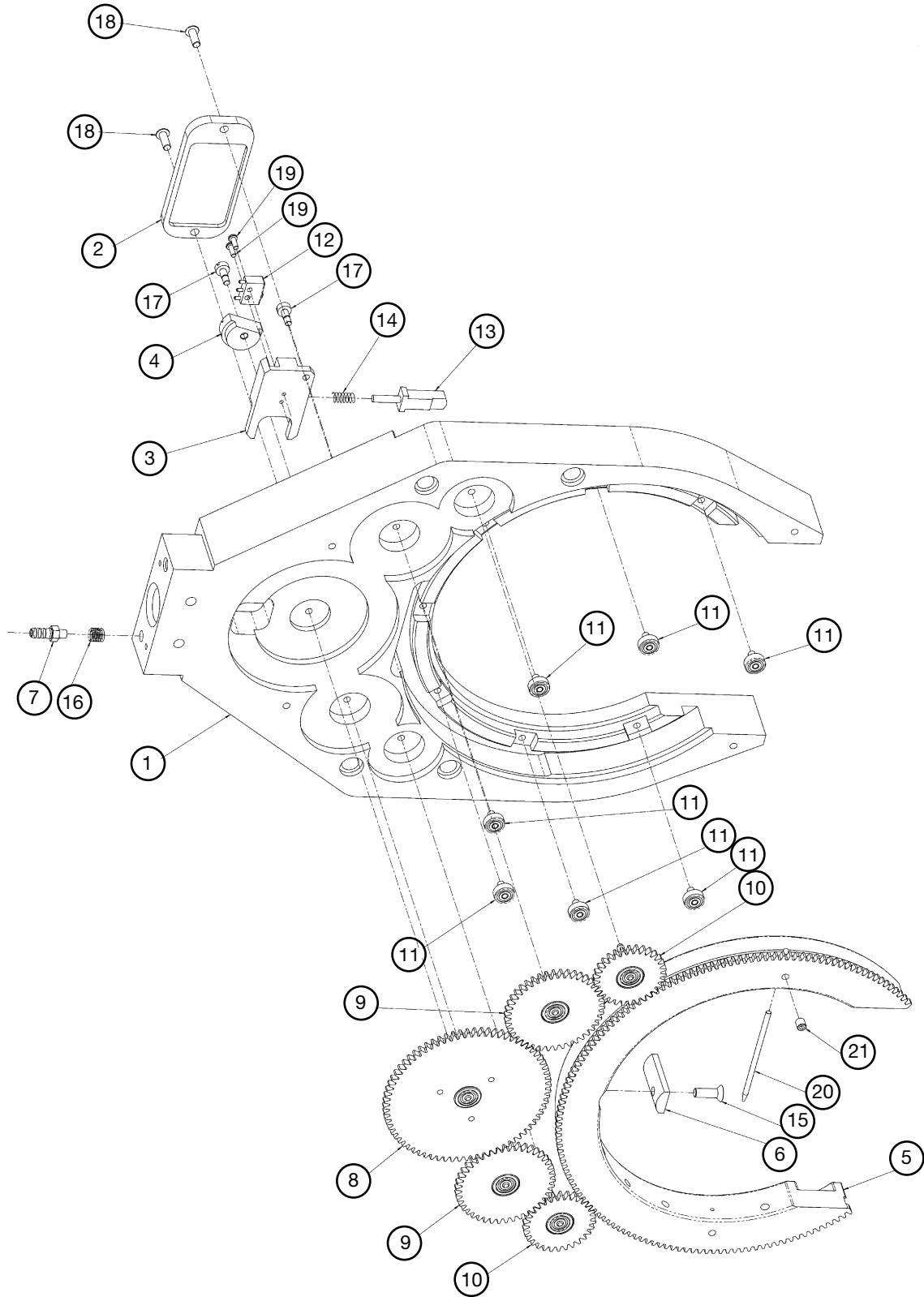


図 24 : SWS-40H ギア側アセンブリー

表5：SWS-40H ギア側アセンブリー構成部品リスト

参照番号	名称	型番	キット番号	最小注文数量
1	ハウジング・アセンブリー (ギア側)	—	SWS-40H-D-GSA	1
2	ホーム・スイッチ・カバー	SWS-40H-HOM-SW-CVR	—	1
3	アクチュエーター取り付け用プレート	①	①	—
4	アクチュエーター・スイッチ調節カム	①	①	—
5	ローター	SWS-40H-RTR	—	1
6	アクチュエーター・タブ	—	SWS-40H-ACT-TAB	1
7	ガス継手	B-BN4-K62	—	1
8	ドライブ・ギア・アセンブリー	—	SWS-40H-DR-GR	1
9	プライマリー・ギア・アセンブリー	—	SWS-40H-PRM-DR-GR	1
10	セカンダリー・ギア・アセンブリー	—	SWS-40H-SCD-DR-GR	1
11	ローター・ベアリング・アセンブリー	—	SWS-40H-RTR-BRNG	1
12	ホーム・センサー・アセンブリー	①	①	—
13	ホーム・センサー・アクチュエーター	—	SWS-40H-SENSOR-ACT	1
14	アクチュエーター・スプリング	SS-CSC-180-016-500-SG	—	1
15	平ねじ (8-32×.500)	188-SCFP-164-32-500	—	10
16	ねじ用インサート	①	①	—
17	ショルダー・ネジ (4-40×.188)	188-SHFS-1245-188-S	—	10
18	ボタン・ヘッド・キャップ・ネジ (6-32×.380)	188-SCBA-138-32-380	—	10
19	ロック・ネジ (2-56×.380)	NY-SCPS-086-56-380	—	10
20	2% セリウム・タングステン電極	「電極の選択」の項をご参照ください		
21	ソケット・ヘッド止めネジ (8-32×0.188 カップ・ポイント)	188-SSAC-164-32-188	—	10

① ユーザーよりの現場交換用の予備品としてはご注文いただけません。

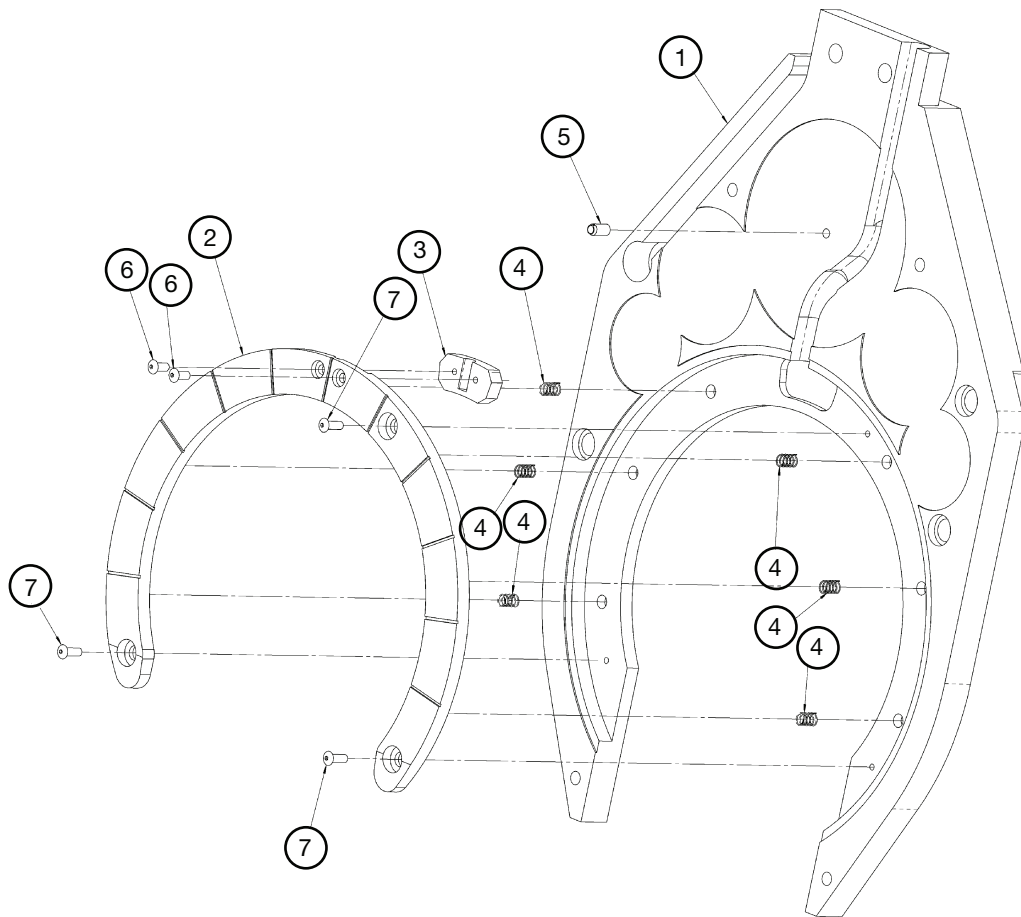


図 25 : SWS-40H ハウジング (ブラシ側アセンブリー)

表 6 : SWS-40H ハウジング (ブラシ側アセンブリー) 構成部品リスト

参照番号	名称	型番	キット番号	最小注文数量
1	ハウジング・アセンブリー (ブラシ側)	—	SWS-40H-D-BSA	1
2	ブラシ	①	①	—
3	ブラシ・クランプ・プレート	—	SWS-40H-BRSH-CLP-PLT	1
4	40H ブラシ・スプリング	①	①	—
5	ドゥエル・ピン	①	①	—
6	ボタン・ヘッド・トルクス・ソケット・キャップ・ネジ (4-40×.250)	S-SCBT-112-40-250-BK	—	10
7	ボタン・ヘッド・キャップ・ネジ (4-40×.312)	188-SCBA-112-40-312	—	10

①ユーザーよりの現場交換用の予備品としてはご注文いただけません。

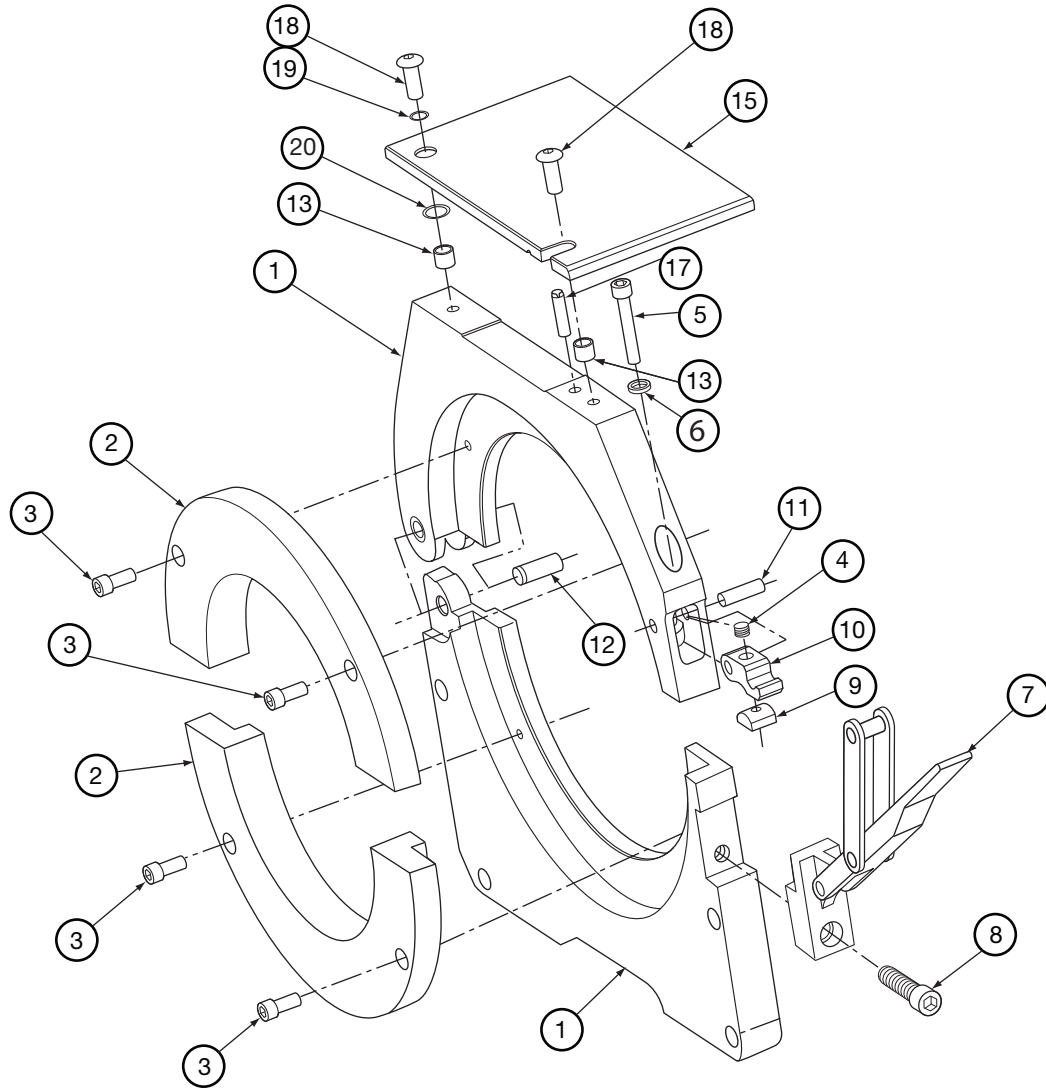


図 26 : SWS-40H サイド・プレート・アセンブリー (左)

表7：SWS-40H サイド・プレート・アセンブリー（左）構成部品リスト

参照 番号	名称	型番	キット番号	最小注文数量
1	サイド・プレート・アセンブリー（左）	—	SWS-40FSP1L	1
2	40H コレット	コレットの「ご注文に際して」の項をご参照ください		
3	ソケット・ヘッド・キャップ・ネジ (8-32×0.382)	188-SCSA-164-32-380	—	10
4	40H ラッチ・スプリング	SWS-40H-LATCH-SPNG	—	10
5	ソケット・ヘッド・キャップ・ネジ (8-32×1.000)	188-SCSA-164-32-1000	—	10
6	ロック・ワッシャー #8	188-WSLK-174-293-040	—	10
7	40H ラッチ・サブ・アセンブリー	—	SWS-40H-LATCH	1
8	40H ラッチ・ネジ	188-SCSA-190-24-500	—	10
9	40H ラッチ・フック・カム	SWS-40H-LATCH-HK-CAM	—	1
10	40H ラッチ・フック	①	①	—
11	ドゥエル・ピン	①	①	—
12	ドゥエル・ピン	①	①	—
13	ウィンドウ・カバー・スリーブ（標準）	SS-SR-196-250-203	—	1
14	溶接レンズ・ウィンドウ・スリーブ②	SS-SR-196-250-100	—	1
15	ウィンドウ・カバー（標準）	SWS-40H-WIN-CVR	—	1
16	溶接レンズ・ウィンドウ・カバー (オプション) ②	—	SWS-WIN-WL-CVR	1
17	六角ブランジャー (8-32×.625)	188-SPAR-164-32-625-NP	—	1
18	ボタン・ヘッド・キャップ・ネジ (10-32×.500)	188-SCBA-190-32-500	—	10
19	ウィンドウ・カバー・シム	188-WSFL-188-250-008	—	10
20	ウェイブ・ワッシャー	188-WSWV-265-367-006	—	10

① ユーザーよりの現場交換用の予備品としてはご注文いただけません。

② 図示されていません。

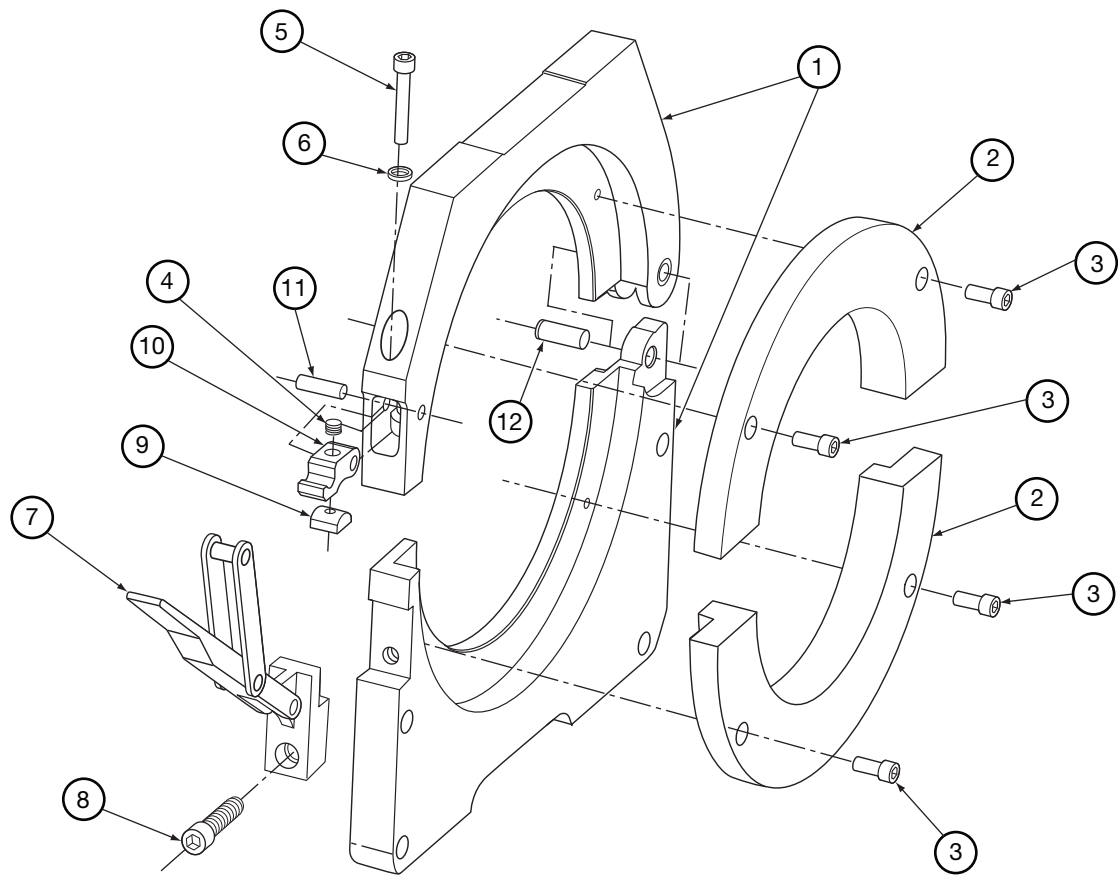


図 27 : SWS-40H サイド・プレート・アセンブリー (右)

表 8 : SWS-40H サイド・プレート・アセンブリー (右) 構成部品リスト

参照 番号	名称	型番	キット番号	最小注文数量
1	サイド・プレート・アセンブリー (右)	—	SWS-40FSP1R	1
2	40H コレット	コレットの「ご注文に際して」の項をご参照ください		—
3	ソケット・ヘッド・キャップ・ネジ (8-32×0.380)	188-SCSA-164-32-380	—	10
4	40H ラッチ・スプリング	SWS-40H-LATCH-SPNG	—	10
5	ソケット・ヘッド・キャップ・ネジ (8-32×1.000)	188-SCSA-164-32-1000	—	10
6	ロック・ワッシャー #8	188-WSLK-174-293-040	—	10
7	40H ラッチ・サブアセンブリー	—	SWS-40H-LATCH	1
8	40H ラッチ・ネジ	188-SCSA-190-24-500	—	10
9	40H ラッチ・フック・カム	SWS-40H-LATCH-HK-CAM	—	1
10	40H ラッチ・フック	①	①	—
11	ドゥエル・ピン	①	①	—
12	ドゥエル・ピン	①	①	—

① ユーザーよりの現場交換用の予備品としてはご注文いただけません。

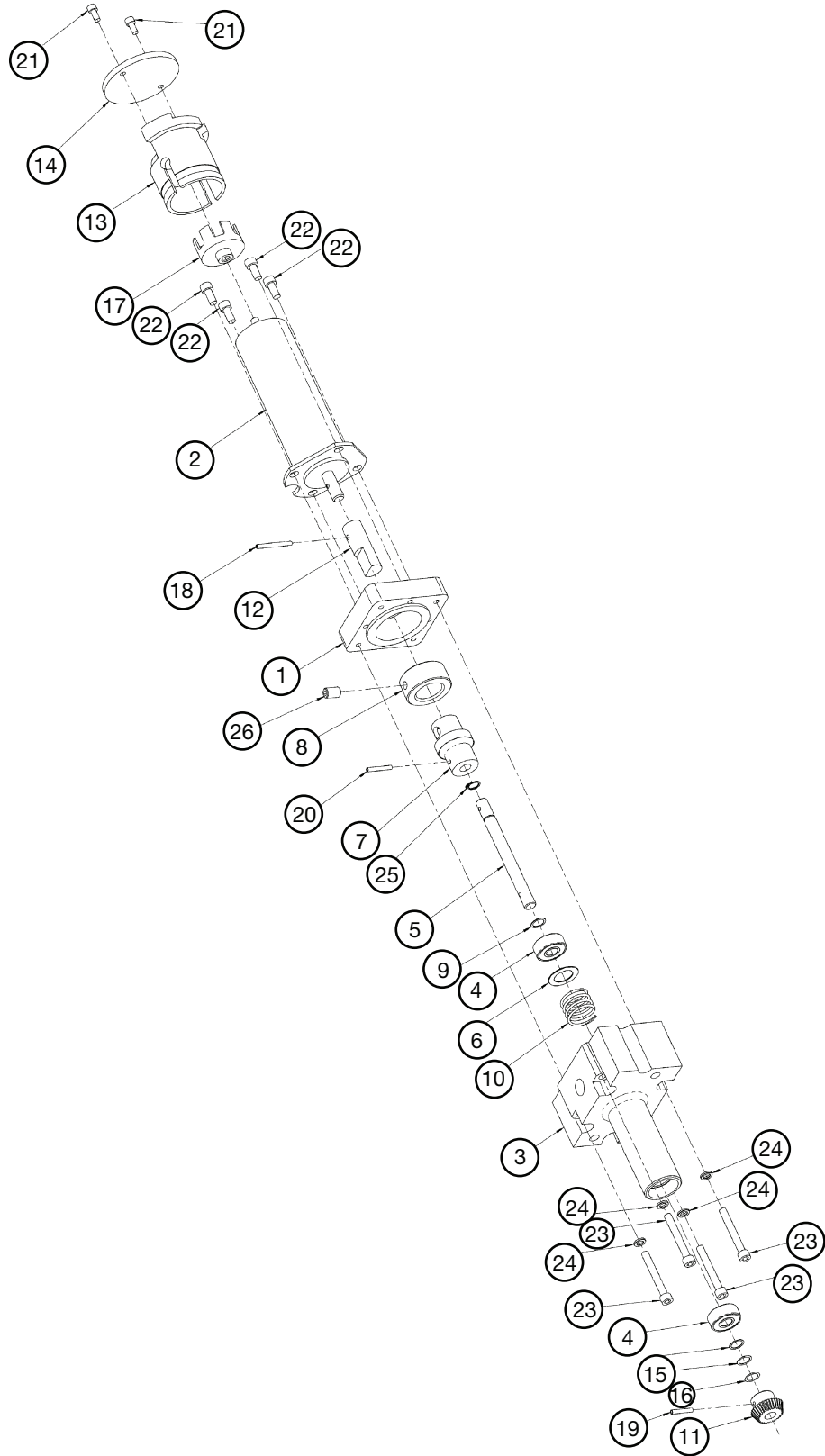


図 28 : SWS-40H モーター・ドライブ・アセンブリー

表9：SWS-40H モーター・ドライブ・アセンブリー構成部品リスト

参照番号	名称	キット番号①
1	モーター・インターフェース・マウント	②
2	モーター	②
3	ドライブ・アセンブリー・ハウジング	②
4	ドライブ・アセンブリー・ベアリング	②
5	ドライブ・シャフト	②
6	圧カスプリング・ワッシャー	②
7	ドライブ・シャフト絶縁体カップリング	②
8	カップリング・ロック・スリーブ	②
9	ベアリング・ワッシャー	②
10	圧カスプリング	②
11	ドライブ・ピニオン・ギア	②
12	モーター・シャフト・アダプター	②
13	エンコーダー・スリーブ	②
14	エンコーダー・ボード・アセンブリー	②
15	シム	②
16	シム	②
17	エンコーダー・ホイール	②
18	モーター・ドライブ・カプラー・ピン	②
19	ピニオン・カプラー・ピン	②
20	ドライブ・シャフト・カプラー・ピン	②
21	エンコーダー・ボードねじ	②
22	モーターねじ	②
23	モーター・インターフェースねじ	②
24	モーター・インターフェース・ワッシャー	②
25	ドライブ・シャフト・クリップ	②
26	カップリング・スリーブ止めネジ	②

① 各部品のご注文につきましては、スウェージロック指定販売会社までお問い合わせください。

② ユーザーよりの現場交換用の予備品としてはご注文いただけません。

この日本語版ユーザー・マニュアルは、英語版ユーザー・マニュアルの内容を忠実に反映することを目的に、製作いたしました。日本語版の内容に英語版との相違が生じないよう、細心の注意を払っておりますが、万が一相違が生じてしまった場合には、英語版の内容が優先されますので、ご注意ください。

製品保証

Swagelok 製品には、Swagelok リミテッド・ライフタイム保証が付いています。詳細につきましては、www.swagelok.co.jp にアクセスいただくか、スウェーجزロック指定販売会社までお問い合わせください。



Swagelok—TM Swagelok Company
© 2001—2013 Swagelok Company
Printed in U.S.A., AGS
January 2013, R4
MS-13-206